

**PARTS LIST**

[ RX-E100RSL ]  
[ RX-E100RSB ]

\* All printed circuit boards and its assemblies are not available as service parts.

<b>RX-E100RSL</b>
Area suffix
B ----- U.K.
E ----- Continental Europe
EN ----- Northern Europe
<b>RX-E100RSB</b>
Area suffix
E ----- Continental Europe
EN ----- Northern Europe

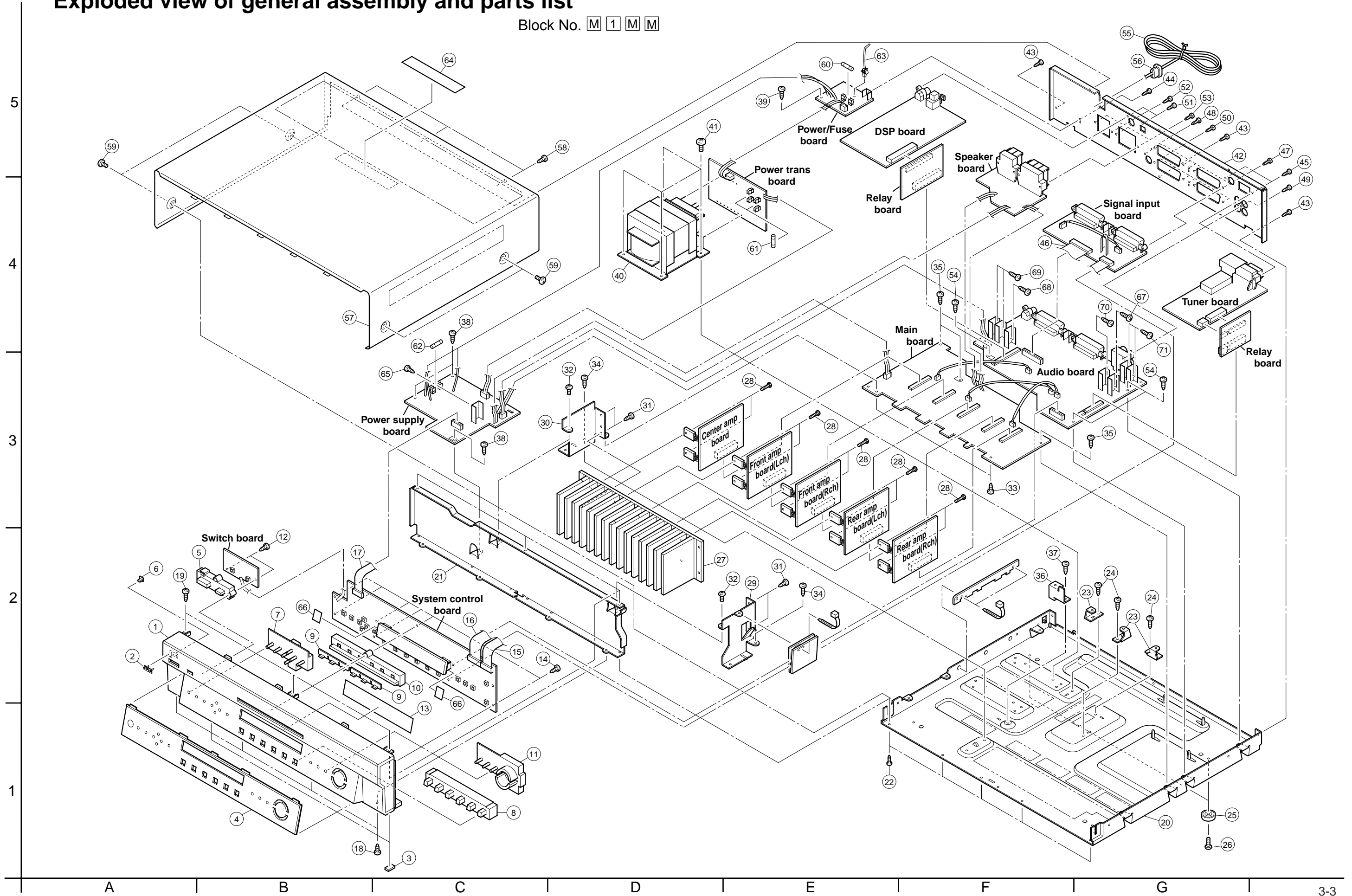
- Contents -

Exploded view of general assembly and parts list ..... 3- 3  
 Electrical parts list ..... 3- 5  
 Packing materials and accessories parts list ..... 3-18

< MEMO >

# Exploded view of general assembly and parts list

Block No. **M** **1** **M** **M**



RX-E100RSL/RX-E100RSB

■ Parts list (General assembly)

Block No. M1MM

△	Item	Parts number	Parts name	Q'ty	Description	Area
	1	LV10482-001A	FRONT PANEL	1		
	2	VJD5429-002SS	JVC MARK	1		
	3	E75896-003	FELT SPACER	2	FOR FRONT FOOT	
	4	LV20958-005A	LENS	1	RX-E100RSB	
		LV20958-001A	LENS	1	RX-E100RSL	
	5	LV20991-001A	POWER BUTTON	1		
	6	LV42096-001A	INDICATOR	1		
	7	LV32517-001A	CONTROL BUTTON	1		
	8	LV20959-001A	SOURCE BUTTON	1		
	9	LV32519-001A	SOURCE INDICATO	2		
	10	LV32552-003A	INDI.ESCUTCHEON	1		
	11	LV20992-001A	VOLUME BUTTON	1		
	12	QYSBSF2608Z	T.SCREW	2	F.C.B POWER+F.PANEL	
	13	LV42195-001A	FL SCREEN	1	TO FRONT PANEL	
	14	QYSBSF2608Z	T.SCREW	8	F.C.B FL+F.PANEL	
	15	QUQ412-1448CJ	FFC WIRE	1		
	16	QUQ412-1738CJ	FFC WIRE	1		
	17	QUQ412-1213CJ	FFC WIRE	1		
	18	QYSBSG3006Z	T.SCREW	4	F.PANEL+C.BASE	
	19	QYSBSG3006Z	T.SCREW	3	F.PANEL+F.BKT	
	20	LV10019-003A	CHASSIS BASE	1		
	21	LV10483-001A	FRONT BRACKET	1		
	22	QYSBSG3006Z	T.SCREW	5	C.BASE+F.BKT	
	23	E68587-223SM	CB BKT	3		
	24	QYSBSG3006Z	T.SCREW	3	CB BKT+C.BASE	
	25	E47227-021	FOOT ASS'Y	2		
	26	QYSBSG3006Z	T.SCREW	2	FOOT ASS'Y+C.BASE	
	27	LV20960-001A	HEAT SINK	1		
	28	E73525-003SS	SCREW	10	TR	
	29	LV32433-001A	H.S BRACKET(R)	1		
	30	LV32434-001A	H.S BRACKET(L)	1		
	31	QYSBSG3008Z	T.SCREW	4	H.SINK BKT+H.SINK	
	32	QYSBSG3006Z	T.SCREW	2	H.SINK BKT+F.BKT	
	33	QYSBSG3006Z	T.SCREW	2	AMP M.C.B+H.SINK BKT	
	34	QYSBSG3006Z	T.SCREW	2	H.SINK BKT+C.BASE	
	35	QYSBSG3006Z	T.SCREW	3	A.M.C.B+C.B.&CB BKT	
	36	LV42098-001A	C.B BKT	1		
	37	QYSBSG3006Z	T.SCREW	1	C.B.BKT+C.BASE	
	38	QYSBSG3006Z	T.SCREW	3	T.C.B+C.BASE&F.BKT	
	39	QYSBSG3006Z	T.SCREW	1	P.CORD C.B+C.BASE	
△	40	QQT0327-002	POWER TRANSF	1	T201	
	41	QYSDSTL4008Z	SPECIAL SCREW	4	P.TRANS	
	42	LV20961-006A	REAR PANEL	1	RX-E100RSB	
		LV20961-003A	REAR PANEL	1	RX-E100RSL	
	43	QYSBSGY3008M	SPECIAL SCREW	3	R.PANEL+C.BASE	
	44	QYSBSGY3008M	SPECIAL SCREW	1	R.PANEL+ud---	
	45	QYSBSGY3008M	SPECIAL SCREW	2	TUNER	
	46	QUQ412-2706CJ	FFC WIRE	1	I.M.C.B TO SCARRTE	

■ Parts list (General assembly)

Block No. M1MM

△	Item	Parts number	Parts name	Q'ty	Description	Area
	47	QYSBSGY3008M	SPECIAL SCREW	5	SCART 2	
	48	QYSBSGY3008M	SPECIAL SCREW	1	SUB WOOFER	
	49	QYSBSGY3008M	SPECIAL SCREW	1	TAPE	
	50	QYSBSGY3008M	SPECIAL SCREW	5	SCART	
	51	QYSBSGY3008M	SPECIAL SCREW	2	DIGITAL	
	52	QYSBSGY3008M	SPECIAL SCREW	2	F.SP.K TERM.+R.PANEL	
	53	QYSBSGY3008M	SPECIAL SCREW	2	R.SP.K TERM.+R.PANEL	
	54	QYSBSG3006Z	T.SCREW	3	INPUT M.C.B+C.BASE	
△	55	QMPN100-200-JD	POWER CORD	1		B
△		QMPK150-200-JD	POWER CORD	1		E, EN
△	56	QZW0033-001	STRAIN RELIEF	1		
	57	LV20962-001A/S/	TOP COVER	1		
	58	QYSBSGY3008M	SPECIAL SCREW	3		
	59	E406308-004	SPECIAL SCREW	4	RX-E100RSL	
△	60	QMF51E2-1R6-J1	FUSE	1	F201	
△	61	QMF51E2-2R0-J1	FUSE	2	F202 F203	
△	62	QMF51E2-R10-J1	FUSE	1	F204	
	63	E307572-001	FASTENER	1		
	64	E409396-002	CAUTION LABEL	1		
	65	QYSBSG3008E	T.SCREW	1		
	66	LV30225-0C1A	FELT SPACER	2	FS400 FS401	
	67	QYSBSG3008E	T.SCREW	1		
	68	QYSBSG3008E	T.SCREW	1		
	69	QYSBSG3008E	T.SCREW	2		
	70	QYSBSG3008E	T.SCREW	1		
	71	QYSBSG3008E	T.SCREW	2		

## ■ Electrical parts list (Power amp board)

Block No. 01

△	Item	Parts number	Parts name	Remarks	Area	△	Item	Parts number	Parts name	Remarks	Area
	C 201	QFLC2AJ-104Z	M CAPACITOR	.10MF 5% 100V			C 818	QETN1CM-107Z	E CAPACITOR	100MF 20% 16V	
	C 202	QFLC2AJ-104Z	M CAPACITOR	.10MF 5% 100V			C 819	QETN2AM-106Z	E CAPACITOR	10MF 20% 100V	
	C 203	QFLC2AJ-104Z	M CAPACITOR	.10MF 5% 100V			C 820	QETN2AM-106Z	E CAPACITOR	10MF 20% 100V	
	C 204	QETM1VM-228	E CAPACITOR	2200MF 20% 35V			C 821	QCS32HJ-470Z	C CAPACITOR	47PF 5% 500V	
	C 205	QETM1VM-108	E CAPACITOR	1000MF 20% 35V			C 822	QCS32HJ-470Z	C CAPACITOR	47PF 5% 500V	
	C 206	QFLC1HJ-473Z	M CAPACITOR	.047MF 5% 50V			C 823	QCS32HJ-470Z	C CAPACITOR	47PF 5% 500V	
	C 207	QFLC1HJ-473Z	M CAPACITOR	.047MF 5% 50V			C 824	QCS32HJ-470Z	C CAPACITOR	47PF 5% 500V	
	C 208	QFLC2AJ-472Z	M CAPACITOR	4700PF 5% 100V			C 825	QFLC1HJ-473Z	M CAPACITOR	.047MF 5% 50V	
△	C 209	QETN1EM-477Z	E CAPACITOR	470MF 20% 25V			C 826	QFLC1HJ-473Z	M CAPACITOR	.047MF 5% 50V	
	C 210	QCZ9104-472	C CAPACITOR	4700PF			C 827	QFLC1HJ-473Z	M CAPACITOR	.047MF 5% 50V	
	C 212	QETN1CM-477Z	E CAPACITOR	470MF 20% 16V			C 828	QFLC1HJ-473Z	M CAPACITOR	.047MF 5% 50V	
	C 213	QETN0JM-228Z	E CAPACITOR	2200MF 20% 6.3V			C 829	QETN1HM-476Z	E CAPACITOR	47MF 20% 50V	
	C 214	QETN1HM-227Z	E CAPACITOR	220MF 20% 50V			C 830	QETN1HM-476Z	E CAPACITOR	47MF 20% 50V	
	C 215	QETN1JM-107Z	E CAPACITOR	100MF 20% 63V			C 901	QETN1HM-225Z	E CAPACITOR	2.2MF 20% 50V	
	C 216	QETN1HM-226Z	E CAPACITOR	22MF 20% 50V			C 903	QCS31HJ-680Z	C CAPACITOR	68PF 5% 50V	
	C 217	QETN1HM-226Z	E CAPACITOR	22MF 20% 50V			C 905	QCS31HJ-221Z	C CAPACITOR	220PF 5% 50V	
	C 218	QETN1HM-105Z	E CAPACITOR	1.0MF 20% 50V			C 907	QCB31HK-152Z	C CAPACITOR	1500PF 10% 50V	
	C 221	QETN1EM-107Z	E CAPACITOR	100MF 20% 25V			C 909	QETN1CM-476Z	E CAPACITOR	47MF 20% 16V	
	C 301	QETN1HM-225Z	E CAPACITOR	2.2MF 20% 50V			C 911	QCS31HJ-100Z	C CAPACITOR	10PF 5% 50V	
	C 302	QETN1HM-225Z	E CAPACITOR	2.2MF 20% 50V			C 913	QFLC1HJ-103Z	M CAPACITOR	.010MF 5% 50V	
	C 303	QCS31HJ-680Z	C CAPACITOR	68PF 5% 50V			C 915	QCS32HJ-330Z	C CAPACITOR	33PF 5% 500V	
	C 304	QCS31HJ-680Z	C CAPACITOR	68PF 5% 50V			C 917	QETN1CM-107Z	E CAPACITOR	100MF 20% 16V	
	C 305	QCS31HJ-221Z	C CAPACITOR	220PF 5% 50V			C 919	QETN2AM-106Z	E CAPACITOR	10MF 20% 100V	
	C 306	QCS31HJ-221Z	C CAPACITOR	220PF 5% 50V			C 921	QCS32HJ-470Z	C CAPACITOR	47PF 5% 500V	
	C 307	QCB31HK-152Z	C CAPACITOR	1500PF 10% 50V			C 923	QCS32HJ-470Z	C CAPACITOR	47PF 5% 500V	
	C 308	QCB31HK-152Z	C CAPACITOR	1500PF 10% 50V			C 925	QFLC1HJ-473Z	M CAPACITOR	.047MF 5% 50V	
	C 309	QETN1CM-107Z	E CAPACITOR	100MF 20% 16V			C 927	QFLC1HJ-473Z	M CAPACITOR	.047MF 5% 50V	
	C 310	QETN1CM-107Z	E CAPACITOR	100MF 20% 16V			C 929	QETN1HM-476Z	E CAPACITOR	47MF 20% 50V	
	C 311	QCS31HJ-100Z	C CAPACITOR	10PF 5% 50V			CN201	QGD2501C1-05Z	SOCKET		
	C 312	QCS31HJ-100Z	C CAPACITOR	10PF 5% 50V			CN204	QGF1205C1-12	CONNECTOR		
	C 313	QFLC1HJ-103Z	M CAPACITOR	.010MF 5% 50V			CN207	WJK0037-001A	E-SI C WIRE C-B		
	C 314	QFLC1HJ-103Z	M CAPACITOR	.010MF 5% 50V			CN217	QGA7901C1-02	CONNECTOR		
	C 315	QCS32HJ-220Z	C CAPACITOR	22PF 5% 500V			CN701	QGB2510K1-09	CONNECTOR		
	C 316	QCS32HJ-220Z	C CAPACITOR	22PF 5% 500V			CN702	QGB2510K1-09	CONNECTOR		
	C 317	QETN1CM-107Z	E CAPACITOR	100MF 20% 16V			CN703	QGB2510K1-09	CONNECTOR		
	C 318	QETN1CM-107Z	E CAPACITOR	100MF 20% 16V			CN704	QGB2510K1-09	CONNECTOR		
	C 319	QETN1JM-107Z	E CAPACITOR	100MF 20% 63V			CN705	QGB2510K1-09	CONNECTOR		
	C 320	QETN1JM-107Z	E CAPACITOR	100MF 20% 63V			CN707	QGD2501C1-04Z	SOCKET		
	C 321	QCS32HJ-470Z	C CAPACITOR	47PF 5% 500V		△	D 201	10E2-FD	DIODE		
	C 322	QCS32HJ-470Z	C CAPACITOR	47PF 5% 500V		△	D 202	1SR35-400A-T5	DIODE		
	C 323	QCS32HJ-470Z	C CAPACITOR	47PF 5% 500V		△	D 203	10E2-FD	DIODE		
	C 324	QCS32HJ-470Z	C CAPACITOR	47PF 5% 500V		△	D 204	1SR35-400A-T5	DIODE		
	C 325	QFLC1HJ-473Z	M CAPACITOR	.047MF 5% 50V		△	D 206	1SR35-400A-T5	DIODE		
	C 326	QFLC1HJ-473Z	M CAPACITOR	.047MF 5% 50V		△	D 207	1SR35-400A-T5	DIODE		
	C 327	QFLC1HJ-473Z	M CAPACITOR	.047MF 5% 50V		△	D 208	1SR35-400A-T5	DIODE		
	C 328	QFLC1HJ-473Z	M CAPACITOR	.047MF 5% 50V		△	D 209	1SR35-400A-T5	DIODE		
	C 801	QETN1HM-225Z	E CAPACITOR	2.2MF 20% 50V			D 210	1SS133-T2	SI DIODE		
	C 802	QETN1HM-225Z	E CAPACITOR	2.2MF 20% 50V			D 211	MTZJ6.2C-T2	Z DIODE		
	C 803	QCS31HJ-680Z	C CAPACITOR	68PF 5% 50V			D 212	1SR35-400A-T5	DIODE		
	C 804	QCS31HJ-680Z	C CAPACITOR	68PF 5% 50V		△	D 213	1SR35-400A-T5	DIODE		
	C 805	QCS31HJ-221Z	C CAPACITOR	220PF 5% 50V		△	D 214	1SR35-400A-T5	DIODE		
	C 806	QCS31HJ-221Z	C CAPACITOR	220PF 5% 50V		△	D 215	1SR35-400A-T5	DIODE		
	C 807	QCB31HK-152Z	C CAPACITOR	1500PF 10% 50V			D 216	MTZJ27C-T2	Z DIODE		
	C 808	QCB31HK-152Z	C CAPACITOR	1500PF 10% 50V			D 217	MTZJ6.2C-T2	Z DIODE		
	C 809	QETN1CM-476Z	E CAPACITOR	47MF 20% 16V			D 219	1SR35-400A-T5	DIODE		
	C 810	QETN1CM-476Z	E CAPACITOR	47MF 20% 16V			D 220	1SR35-400A-T5	DIODE		
	C 811	QCS31HJ-100Z	C CAPACITOR	10PF 5% 50V			D 221	MTZJ6.2C-T2	Z DIODE		
	C 812	QCS31HJ-100Z	C CAPACITOR	10PF 5% 50V			D 301	1SS133-T2	SI DIODE		
	C 813	QFLC1HJ-103Z	M CAPACITOR	.010MF 5% 50V			D 302	1SS133-T2	SI DIODE		
	C 814	QFLC1HJ-103Z	M CAPACITOR	.010MF 5% 50V			D 303	SLR-342MC-T	LED		
	C 815	QCS32HJ-330Z	C CAPACITOR	33PF 5% 500V			D 304	SLR-342MC-T	LED		
	C 816	QCS32HJ-330Z	C CAPACITOR	33PF 5% 500V			D 305	1SS133-T2	SI DIODE		
	C 817	QETN1CM-107Z	E CAPACITOR	100MF 20% 16V			D 306	1SS133-T2	SI DIODE		

■ Electrical parts list (Power amp board)

Block No. 01

△	Item	Parts number	Parts name	Remarks	Area	△	Item	Parts number	Parts name	Remarks	Area
	D 307	1SS133-T2	SI DIODE				Q 319	KTA1268/GL/-T	TRANSISTOR		
	D 308	1SS133-T2	SI DIODE				Q 320	KTA1268/GL/-T	TRANSISTOR		
	D 309	1SS133-T2	SI DIODE				Q 801	2SC2240/L/-T	TRANSISTOR		
	D 310	1SS133-T2	SI DIODE				Q 802	2SC2240/L/-T	TRANSISTOR		
	D 801	1SS133-T2	SI DIODE				Q 803	2SC2240/L/-T	TRANSISTOR		
	D 802	1SS133-T2	SI DIODE				Q 804	2SC2240/L/-T	TRANSISTOR		
	D 805	1SS133-T2	SI DIODE				Q 805	KTA1268/GL/-T	TRANSISTOR		
	D 806	1SS133-T2	SI DIODE				Q 806	KTA1268/GL/-T	TRANSISTOR		
	D 807	1SS133-T2	SI DIODE				Q 809	2SD637/QR/	TRANSISTOR		
	D 808	1SS133-T2	SI DIODE				Q 810	2SD637/QR/	TRANSISTOR		
	D 809	1SS133-T2	SI DIODE				Q 811	KTC3200/GL/-T	TRANSISTOR		
	D 810	1SS133-T2	SI DIODE				Q 812	KTC3200/GL/-T	TRANSISTOR		
	D 901	1SS133-T2	SI DIODE				Q 813	KTA1268/GL/-T	TRANSISTOR		
	D 905	1SS133-T2	SI DIODE				Q 814	KTA1268/GL/-T	TRANSISTOR		
	D 907	1SS133-T2	SI DIODE			△	Q 815	2SD2389/OPY/-F6	TRANSISTOR		
	D 909	1SS133-T2	SI DIODE			△	Q 816	2SD2389/OPY/-F6	TRANSISTOR		
	EP201	QNZ0136-001Z	EARTH PLATE			△	Q 817	2SB1559/OPY/-F6	TRANSISTOR		
	EP202	E409182-001SM	GRAND TERMINAL			△	Q 818	2SB1559/OPY/-F6	TRANSISTOR		
	FC201	QNG0020-001Z	FUSE CLIP	(F201)			Q 819	KTA1268/GL/-T	TRANSISTOR		
	FC202	QNG0020-001Z	FUSE CLIP	(F201)			Q 820	KTA1268/GL/-T	TRANSISTOR		
	FC203	QNG0020-001Z	FUSE CLIP	(F202)			Q 901	2SC2240/L/-T	TRANSISTOR		
	FC204	QNG0020-001Z	FUSE CLIP	(F202)			Q 903	2SC2240/L/-T	TRANSISTOR		
	FC205	QNG0020-001Z	FUSE CLIP	(F203)			Q 905	KTA1268/GL/-T	TRANSISTOR		
	FC206	QNG0020-001Z	FUSE CLIP	(F203)			Q 909	2SD637/QR/	TRANSISTOR		
	FC207	QNG0020-001Z	FUSE CLIP	(F204)			Q 911	KTC3200/GL/-T	TRANSISTOR		
	FC208	QNG0020-001Z	FUSE CLIP	(F204)			Q 913	KTA1268/GL/-T	TRANSISTOR		
	FW201	QUM135-22DGZ4	PARA RIBON WIRE			△	Q 915	2SD2389/OPY/-F6	TRANSISTOR		
	FW202	QJK017-031301	SIN CR C-B WIR			△	Q 917	2SB1559/OPY/-F6	TRANSISTOR		
	FW205	QUM134-22DGZ4	PARA RIBON WIRE				Q 919	KTA1268/GL/-T	TRANSISTOR		
	FW206	QUM133-08DGZ4	PARA RIBON WIRE			△	R 201	QRJ146J-5R6X	UNF C RESISTOR	5.6 5% 1/4W	
	HS211	E70306-001	HEAT SINK			△	R 202	QRJ146J-100X	UNF C RESISTOR	10 5% 1/4W	
	L 301	QQLZ005-R45	INDUCTOR			△	R 203	QRJ146J-100X	UNF C RESISTOR	10 5% 1/4W	
	L 302	QQLZ005-R45	INDUCTOR			△	R 204	QRJ146J-821X	UNF C RESISTOR	820 5% 1/4W	
	L 801	QQLZ005-R45	INDUCTOR			△	R 206	QRJ146J-332X	UNF C RESISTOR	3.3K 5% 1/4W	
	L 802	QQLZ005-R45	INDUCTOR				R 207	QRE141J-223Y	C RESISTOR	22K 5% 1/4W	
	L 901	QQLZ005-R45	INDUCTOR			△	R 208	QRJ146J-100X	UNF C RESISTOR	10 5% 1/4W	
	Q 202	KRC105M-T	D TRANSISTOR				R 209	QRE141J-104Y	C RESISTOR	100K 5% 1/4W	
	Q 203	KTC3203/OY/-T	TRANSISTOR			△	R 211	QRZ9005-120X	F RESISTOR	12 1/0W	
△	Q 204	KTA1046/Y/	TRANSISTOR			△	R 212	QRJ146J-682X	UNF C RESISTOR	6.8K 5% 1/4W	
	Q 205	KTC3200/GL/-T	TRANSISTOR				R 213	QRE141J-331Y	C RESISTOR	330 5% 1/4W	
	Q 207	KRC105M-T	D TRANSISTOR			△	R 214	QRJ146J-120X	UNF C RESISTOR	12 5% 1/4W	
	Q 208	KRC105M-T	D TRANSISTOR				R 301	QRE141J-222Y	C RESISTOR	2.2K 5% 1/4W	
	Q 209	KRC105M-T	D TRANSISTOR				R 302	QRE141J-222Y	C RESISTOR	2.2K 5% 1/4W	
△	Q 211	2SD2395/EF/	TRANSISTOR				R 303	QRE141J-683Y	C RESISTOR	68K 5% 1/4W	
	Q 212	KRC105M-T	D TRANSISTOR				R 304	QRE141J-683Y	C RESISTOR	68K 5% 1/4W	
	Q 301	2SC2240/L/-T	TRANSISTOR				R 305	QRE141J-123Y	C RESISTOR	12K 5% 1/4W	
	Q 302	2SC2240/L/-T	TRANSISTOR				R 306	QRE141J-123Y	C RESISTOR	12K 5% 1/4W	
	Q 303	2SC2240/L/-T	TRANSISTOR				R 307	QRE141J-202Y	C RESISTOR	2.0K 5% 1/4W	
	Q 304	2SC2240/L/-T	TRANSISTOR				R 308	QRE141J-202Y	C RESISTOR	2.0K 5% 1/4W	
	Q 305	KTA1268/GL/-T	TRANSISTOR				R 309	QRE141J-101Y	C RESISTOR	100 5% 1/4W	
	Q 306	KTA1268/GL/-T	TRANSISTOR				R 310	QRE141J-101Y	C RESISTOR	100 5% 1/4W	
	Q 307	KTC3200/GL/-T	TRANSISTOR			△	R 311	QRJ146J-391X	UNF C RESISTOR	390 5% 1/4W	
	Q 308	KTC3200/GL/-T	TRANSISTOR			△	R 312	QRJ146J-391X	UNF C RESISTOR	390 5% 1/4W	
	Q 309	2SD637/QR/	TRANSISTOR				R 313	QRE141J-563Y	C RESISTOR	56K 5% 1/4W	
	Q 310	2SD637/QR/	TRANSISTOR				R 314	QRE141J-563Y	C RESISTOR	56K 5% 1/4W	
	Q 311	KTC3200/GL/-T	TRANSISTOR			△	R 315	QRJ146J-121X	UNF C RESISTOR	120 5% 1/4W	
	Q 312	KTC3200/GL/-T	TRANSISTOR			△	R 316	QRJ146J-121X	UNF C RESISTOR	120 5% 1/4W	
	Q 313	KTA1268/GL/-T	TRANSISTOR				R 317	QRE141J-473Y	C RESISTOR	47K 5% 1/4W	
	Q 314	KTA1268/GL/-T	TRANSISTOR				R 318	QRE141J-473Y	C RESISTOR	47K 5% 1/4W	
△	Q 315	2SD2389/OPY/-F6	TRANSISTOR			△	R 319	QRJ146J-471X	UNF C RESISTOR	470 5% 1/4W	
△	Q 316	2SD2389/OPY/-F6	TRANSISTOR			△	R 320	QRJ146J-471X	UNF C RESISTOR	470 5% 1/4W	
△	Q 317	2SB1559/OPY/-F6	TRANSISTOR			△	R 321	QRJ146J-100X	UNF C RESISTOR	10 5% 1/4W	
△	Q 318	2SB1559/OPY/-F6	TRANSISTOR			△	R 322	QRJ146J-100X	UNF C RESISTOR	10 5% 1/4W	

## ■ Electrical parts list (Power amp board)

Block No. 01

△	Item	Parts number	Parts name	Remarks	Area	△	Item	Parts number	Parts name	Remarks	Area	
△	R 323	QRJ146J-100X	UNF C RESISTOR	10 5% 1/4W			R 836	QRE141J-101Y	C RESISTOR	100 5% 1/4W		
△	R 324	QRJ146J-100X	UNF C RESISTOR	10 5% 1/4W			R 837	QRE141J-101Y	C RESISTOR	100 5% 1/4W		
	R 325	QRE141J-361Y	C RESISTOR	360 5% 1/4W			R 838	QRE141J-101Y	C RESISTOR	100 5% 1/4W		
	R 326	QRE141J-361Y	C RESISTOR	360 5% 1/4W			R 839	QRE141J-181Y	C RESISTOR	180 5% 1/4W		
	R 327	QRE141J-471Y	C RESISTOR	470 5% 1/4W			R 840	QRE141J-181Y	C RESISTOR	180 5% 1/4W		
	R 328	QRE141J-471Y	C RESISTOR	470 5% 1/4W			R 841	QRE141J-181Y	C RESISTOR	180 5% 1/4W		
	R 329	QRE141J-471Y	C RESISTOR	470 5% 1/4W			R 842	QRE141J-181Y	C RESISTOR	180 5% 1/4W		
	R 330	QRE141J-471Y	C RESISTOR	470 5% 1/4W			R 843	QRZ0218-R22	EMIT RESISTOR	1/2W		
△	R 331	QRJ146J-100X	UNF C RESISTOR	10 5% 1/4W			R 844	QRZ0218-R22	EMIT RESISTOR	1/2W		
△	R 332	QRJ146J-100X	UNF C RESISTOR	10 5% 1/4W			R 845	QRE141J-102Y	C RESISTOR	1.0K 5% 1/4W		
△	R 333	QRJ146J-100X	UNF C RESISTOR	10 5% 1/4W			R 846	QRE141J-102Y	C RESISTOR	1.0K 5% 1/4W		
△	R 334	QRJ146J-100X	UNF C RESISTOR	10 5% 1/4W			R 847	QRE141J-183Y	C RESISTOR	18K 5% 1/4W		
	R 335	QRE141J-820Y	C RESISTOR	82 5% 1/4W			R 848	QRE141J-183Y	C RESISTOR	18K 5% 1/4W		
	R 336	QRE141J-820Y	C RESISTOR	82 5% 1/4W			R 849	QRE141J-123Y	C RESISTOR	12K 5% 1/4W		
	R 337	QRE141J-820Y	C RESISTOR	82 5% 1/4W			R 850	QRE141J-123Y	C RESISTOR	12K 5% 1/4W		
	R 338	QRE141J-820Y	C RESISTOR	82 5% 1/4W			△	R 851	QRJ125J-330	UNF C RESISTOR	33 5% 1/2W	
	R 339	QRE141J-181Y	C RESISTOR	180 5% 1/4W			△	R 852	QRJ125J-330	UNF C RESISTOR	33 5% 1/2W	
	R 340	QRE141J-181Y	C RESISTOR	180 5% 1/4W			△	R 853	QRL022J-100	UNF OMF RESISTOR	10 5% 1/2W	
	R 341	QRE141J-181Y	C RESISTOR	180 5% 1/4W			△	R 854	QRL022J-100	UNF OMF RESISTOR	10 5% 1/2W	
	R 342	QRE141J-181Y	C RESISTOR	180 5% 1/4W			R 855	QRE141J-332Y	C RESISTOR	3.3K 5% 1/4W		
	R 343	QRZ0218-R22	EMIT RESISTOR	1/2W			R 856	QRE141J-332Y	C RESISTOR	3.3K 5% 1/4W		
	R 344	QRZ0218-R22	EMIT RESISTOR	1/2W			R 857	QRE141J-332Y	C RESISTOR	3.3K 5% 1/4W		
	R 345	QRE141J-102Y	C RESISTOR	1.0K 5% 1/4W			R 858	QRE141J-332Y	C RESISTOR	3.3K 5% 1/4W		
	R 346	QRE141J-102Y	C RESISTOR	1.0K 5% 1/4W			R 859	QRE141J-332Y	C RESISTOR	3.3K 5% 1/4W		
	R 347	QRE141J-153Y	C RESISTOR	15K 5% 1/4W			R 860	QRE141J-332Y	C RESISTOR	3.3K 5% 1/4W		
	R 348	QRE141J-153Y	C RESISTOR	15K 5% 1/4W			R 861	QRE141J-332Y	C RESISTOR	3.3K 5% 1/4W		
	R 349	QRE141J-473Y	C RESISTOR	47K 5% 1/4W			R 862	QRE141J-332Y	C RESISTOR	3.3K 5% 1/4W		
	R 350	QRE141J-473Y	C RESISTOR	47K 5% 1/4W			R 901	QRE141J-222Y	C RESISTOR	2.2K 5% 1/4W		
△	R 351	QRJ125J-330	UNF C RESISTOR	33 5% 1/2W			R 903	QRE141J-563Y	C RESISTOR	56K 5% 1/4W		
△	R 352	QRJ125J-330	UNF C RESISTOR	33 5% 1/2W			R 905	QRE141J-183Y	C RESISTOR	18K 5% 1/4W		
△	R 353	QRL022J-100	UNF OMF RESISTOR	10 5% 1/2W			R 907	QRE141J-302Y	C RESISTOR	3.0K 5% 1/4W		
△	R 354	QRL022J-100	UNF OMF RESISTOR	10 5% 1/2W			R 909	QRE141J-101Y	C RESISTOR	100 5% 1/4W		
	R 801	QRE141J-222Y	C RESISTOR	2.2K 5% 1/4W			△	R 911	QRJ146J-391X	UNF C RESISTOR	390 5% 1/4W	
	R 802	QRE141J-222Y	C RESISTOR	2.2K 5% 1/4W			R 913	QRE141J-563Y	C RESISTOR	56K 5% 1/4W		
	R 803	QRE141J-563Y	C RESISTOR	56K 5% 1/4W			△	R 915	QRJ146J-221X	UNF C RESISTOR	220 5% 1/4W	
	R 804	QRE141J-563Y	C RESISTOR	56K 5% 1/4W			△	R 921	QRJ146J-100X	UNF C RESISTOR	10 5% 1/4W	
	R 805	QRE141J-183Y	C RESISTOR	18K 5% 1/4W			△	R 923	QRJ146J-100X	UNF C RESISTOR	10 5% 1/4W	
	R 806	QRE141J-183Y	C RESISTOR	18K 5% 1/4W			R 925	QRE141J-361Y	C RESISTOR	360 5% 1/4W		
	R 807	QRE141J-302Y	C RESISTOR	3.0K 5% 1/4W			R 927	QRE141J-751Y	C RESISTOR	750 5% 1/4W		
	R 808	QRE141J-302Y	C RESISTOR	3.0K 5% 1/4W			R 929	QRE141J-471Y	C RESISTOR	470 5% 1/4W		
	R 809	QRE141J-101Y	C RESISTOR	100 5% 1/4W			△	R 931	QRJ146J-100X	UNF C RESISTOR	10 5% 1/4W	
	R 810	QRE141J-101Y	C RESISTOR	100 5% 1/4W			△	R 933	QRJ146J-100X	UNF C RESISTOR	10 5% 1/4W	
△	R 811	QRJ146J-391X	UNF C RESISTOR	390 5% 1/4W			R 935	QRE141J-101Y	C RESISTOR	100 5% 1/4W		
△	R 812	QRJ146J-391X	UNF C RESISTOR	390 5% 1/4W			R 937	QRE141J-101Y	C RESISTOR	100 5% 1/4W		
	R 813	QRE141J-563Y	C RESISTOR	56K 5% 1/4W			R 939	QRE141J-181Y	C RESISTOR	180 5% 1/4W		
	R 814	QRE141J-563Y	C RESISTOR	56K 5% 1/4W			R 941	QRE141J-181Y	C RESISTOR	180 5% 1/4W		
△	R 815	QRJ146J-221X	UNF C RESISTOR	220 5% 1/4W			R 943	QRZ0218-R22	EMIT RESISTOR	1/2W		
△	R 816	QRJ146J-221X	UNF C RESISTOR	220 5% 1/4W			R 945	QRE141J-102Y	C RESISTOR	1.0K 5% 1/4W		
△	R 821	QRJ146J-100X	UNF C RESISTOR	10 5% 1/4W			R 947	QRE141J-183Y	C RESISTOR	18K 5% 1/4W		
△	R 822	QRJ146J-100X	UNF C RESISTOR	10 5% 1/4W			R 949	QRE141J-473Y	C RESISTOR	47K 5% 1/4W		
△	R 823	QRJ146J-100X	UNF C RESISTOR	10 5% 1/4W			△	R 951	QRJ125J-330	UNF C RESISTOR	33 5% 1/2W	
△	R 824	QRJ146J-100X	UNF C RESISTOR	10 5% 1/4W			△	R 953	QRL022J-100	UNF OMF RESISTOR	10 5% 1/2W	
	R 825	QRE141J-361Y	C RESISTOR	360 5% 1/4W			R 955	QRE141J-332Y	C RESISTOR	3.3K 5% 1/4W		
	R 826	QRE141J-361Y	C RESISTOR	360 5% 1/4W			R 957	QRE141J-332Y	C RESISTOR	3.3K 5% 1/4W		
	R 827	QRE141J-751Y	C RESISTOR	750 5% 1/4W			R 959	QRE141J-332Y	C RESISTOR	3.3K 5% 1/4W		
	R 828	QRE141J-751Y	C RESISTOR	750 5% 1/4W			R 961	QRE141J-332Y	C RESISTOR	3.3K 5% 1/4W		
	R 829	QRE141J-471Y	C RESISTOR	470 5% 1/4W			△	RY201	QSK0055-001	RELAY		
	R 830	QRE141J-471Y	C RESISTOR	470 5% 1/4W			△	T 202	QQT0281-002	POWER TRANSF		
△	R 831	QRJ146J-100X	UNF C RESISTOR	10 5% 1/4W			TA201	QNZ0079-001Z	TAB			
△	R 832	QRJ146J-100X	UNF C RESISTOR	10 5% 1/4W			TA202	QNZ0079-001Z	TAB			
△	R 833	QRJ146J-100X	UNF C RESISTOR	10 5% 1/4W			TH201	QAD0095-4R7Z	POSISTOR			
△	R 834	QRJ146J-100X	UNF C RESISTOR	10 5% 1/4W			△	TH301	QAD0012-202	THERMISTOR		
	R 835	QRE141J-101Y	C RESISTOR	100 5% 1/4W			△	TH302	QAD0012-202	THERMISTOR		
							△	TH801	QAD0012-202	THERMISTOR		
							△	TH802	QAD0012-202	THERMISTOR		
							△	TH901	QAD0012-202	THERMISTOR		
							VR301	QVP0008-102Z	SEMI V RESISTOR			
							VR302	QVP0008-102Z	SEMI V RESISTOR			

**■ Electrical parts list (Main & System control board) Block No. 02**

△	Item	Parts number	Parts name	Remarks	Area	△	Item	Parts number	Parts name	Remarks	Area
	BK401	LV32554-001A	FL HOLDER(L)				CN513	QGB2510K1-12	CONNECTOR		
	BK402	LV32555-001A	FL HOLDER(R)				CN514	QGB2510K1-04	CONNECTOR		
	C 401	QETN0JM-107Z	E CAPACITOR	100MF 20% 6.3V			CN515	QGA2501C1-03	3P CONNECTOR		
	C 402	NCB31CK-223X	C CAPACITOR				CN516	QGA2501C1-02	2P CONNECTOR		
	C 403	QETN1HM-225Z	E CAPACITOR	2.2MF 20% 50V			CN517	QGA2501C1-03	3P CONNECTOR		
	C 404	QETN0JM-107Z	E CAPACITOR	100MF 20% 6.3V			CN711	QGB2510J1-09	CONNECTOR		
	C 405	QCZ0205-155Z	ML C CAPACITOR	1.5MF			CN712	QGB2510J1-09	CONNECTOR		
	C 406	QETN1HM-475Z	E CAPACITOR	4.7MF 20% 50V			CN713	QGB2510J1-09	CONNECTOR		
	C 407	QEK1HM-475Z	E CAPACITOR	4.7MF 20% 50V			CN714	QGB2510J1-09	CONNECTOR		
	C 408	QEK1HM-475Z	E CAPACITOR	4.7MF 20% 50V			CN715	QGB2510J1-09	CONNECTOR		
	C 409	NCB31HK-102X	C CAPACITOR				D 401	SLR-342MC-T	LED		
	C 410	NCB31HK-102X	C CAPACITOR				D 402	SLR-342MC-T	LED		
	C 411	NCB31HK-102X	C CAPACITOR				D 403	SLR-342MC-T	LED		
	C 412	NCB31HK-103X	C CAPACITOR				D 404	SPR-325MVW/L/-T	LED		
	C 413	NCB31HK-103X	C CAPACITOR				D 405	SPR-325MVW/L/-T	LED		
	C 414	NCB31HK-103X	C CAPACITOR				D 406	SPR-325MVW/L/-T	LED		
	C 415	NCB31HK-103X	C CAPACITOR				D 407	SLR-342VC-T	LED		
	C 416	NCB31HK-103X	C CAPACITOR				D 408	1SS355-X	DIODE		
	C 417	NCB31HK-561X	C CAPACITOR			△	D 701	30DF2-FC	DIODE		
	C 418	NCB31CK-223X	C CAPACITOR			△	D 702	30DF2-FC	DIODE		
	C 701	QFZ9076-104Z	MM CAPACITOR	.10MF		△	D 703	30DF2-FC	DIODE		
	C 702	QFZ9076-104Z	MM CAPACITOR	.10MF		△	D 704	30DF2-FC	DIODE		
	C 703	QFZ9076-104Z	MM CAPACITOR	.10MF			D 705	MTZJ18C-T2	Z DIODE		
	C 704	QTE1J45-478	E CAPACITER				D 707	1SS133-T2	SI DIODE		
	C 705	QTE1J45-478	E CAPACITER				D 708	1SS133-T2	SI DIODE		
	C 706	QETN1EM-476Z	E CAPACITOR	47MF 20% 25V			D 709	MTZJ15C-T2	Z DIODE		
	C 709	QETN1HM-106Z	E CAPACITOR	10MF 20% 50V			D 710	MTZJ5.1C-T2	Z DIODE		
	C 710	QETN1CM-476Z	E CAPACITOR	47MF 20% 16V			D 711	1SS133-T2	SI DIODE		
	C 711	QEK1HM-226Z	E CAPACITOR	22MF 20% 50V			D 712	1SS133-T2	SI DIODE		
	C 712	QETN1HM-475Z	E CAPACITOR	4.7MF 20% 50V			D 713	1SS133-T2	SI DIODE		
	C 713	QETN1HM-475Z	E CAPACITOR	4.7MF 20% 50V			D 714	1SS133-T2	SI DIODE		
	C 714	QETN1HM-475Z	E CAPACITOR	4.7MF 20% 50V			D 715	1SS133-T2	SI DIODE		
	C 715	QETN1HM-475Z	E CAPACITOR	4.7MF 20% 50V			D 716	1SS133-T2	SI DIODE		
	C 717	QCS31HJ-101Z	C CAPACITOR	100PF 5% 50V			D 741	1SS133-T2	SI DIODE		
	C 741	QFLC1HJ-223Z	M CAPACITOR	.022MF 5% 50V			D 742	1SS133-T2	SI DIODE		
	C 742	QFLC1HJ-223Z	M CAPACITOR	.022MF 5% 50V			D 743	1SS133-T2	SI DIODE		
	C 743	QCS31HJ-221Z	C CAPACITOR	220PF 5% 50V			DI401	QLF0086-001	FL TUBE		
	C 744	QCS31HJ-221Z	C CAPACITOR	220PF 5% 50V			EP701	QNZ0136-001Z	EARTH PLATE		
	C 745	QCS31HJ-221Z	C CAPACITOR	220PF 5% 50V			FW401	QUM133-20Z4Z4	PARA RIBON WIRE		
	C 746	QCS31HJ-221Z	C CAPACITOR	220PF 5% 50V			FW701	QUM134-27Z4Z4	PARA RIBON WIRE		
	C 747	QCF31HZ-223Z	C CAPACITOR	.022MF +80:-20%			FW702	QUM136-24Z4Z4	PARA RIBON WIRE		
	C 748	QCF31HZ-223Z	C CAPACITOR	.022MF +80:-20%			FW707	QUM134-22DGZ4	PARA RIBON WIRE		
	C 749	QFLC1HJ-223Z	M CAPACITOR	.022MF 5% 50V			IC401	MN101C35DHR	IC		
	C 750	QFLC1HJ-223Z	M CAPACITOR	.022MF 5% 50V			IC402	BU2092F-X	IC		
	C 751	QCS31HJ-221Z	C CAPACITOR	220PF 5% 50V			IC403	GP1U281X	IC		
	C 752	QCS31HJ-221Z	C CAPACITOR	220PF 5% 50V			IC404	IC-PST9139-T	IC		
	C 753	QCS31HJ-221Z	C CAPACITOR	220PF 5% 50V			L 741	QQLZ005-R45	INDUCTOR		
	C 754	QCS31HJ-221Z	C CAPACITOR	220PF 5% 50V			L 742	QQLZ005-R45	INDUCTOR		
	C 755	QCS31HJ-221Z	C CAPACITOR	220PF 5% 50V			L 743	QQLZ005-R45	INDUCTOR		
	C 756	QCS31HJ-221Z	C CAPACITOR	220PF 5% 50V			L 744	QQLZ005-R45	INDUCTOR		
	C 757	QFLC1HJ-473Z	M CAPACITOR	.047MF 5% 50V			L 745	QQLZ005-R45	INDUCTOR		
	C 758	QCS31HJ-221Z	C CAPACITOR	220PF 5% 50V			Q 401	KTC3199/GL/-T	TRANSISTOR		
	C 759	QCS31HJ-221Z	C CAPACITOR	220PF 5% 50V			Q 402	KTC3199/GL/-T	TRANSISTOR		
	C 760	QCS31HJ-221Z	C CAPACITOR	220PF 5% 50V			Q 403	KTC3199/GL/-T	TRANSISTOR		
	CL701	QZW0038-001	WIRE CLAMP				Q 404	KTC3199/GL/-T	TRANSISTOR		
	CL702	QZW0038-001	WIRE CLAMP				Q 405	KTC3199/GL/-T	TRANSISTOR		
	CN121	QGB2501J1-12	CONNECTOR				Q 406	KTC3199/GL/-T	TRANSISTOR		
	CN122	QGB2501J1-04	CONNECTOR				Q 407	DTC114EKA-X	TRANSISTOR		
	CN202	QGA2501C1-03	3P CONNECTOR				Q 408	DTA114EKA-X	D TRANSISTOR		
	CN206	QGD2501C1-03Z	SOCKET				Q 409	DTA114EKA-X	D TRANSISTOR		
	CN214	QGF1205F1-12	CONNECTOR				Q 410	DTA114EKA-X	D TRANSISTOR		
	CN401	QGF1205F1-17	CONNECTOR				Q 411	DTA114EKA-X	D TRANSISTOR		
	CN402	QGF1205F1-14	CONNECTOR				Q 412	DTA114EKA-X	D TRANSISTOR		



**■ Electrical parts list (Main & System control board) Block No. 02**

△	Item	Parts number	Parts name	Remarks	Area	△	Item	Parts number	Parts name	Remarks	Area
	Q 413	DTA114EKA-X	D TRANSISTOR				R 448	NRSA63J-152X	MG RESISTOR		
	Q 702	KTC3200/GL/-T	TRANSISTOR				R 449	NRSA63J-222X	MG RESISTOR		
	Q 703	KTA1268/GL/-T	TRANSISTOR				R 450	NRSA63J-272X	MG RESISTOR		
	Q 704	KTC3199/GL/-T	TRANSISTOR				R 451	NRSA63J-392X	MG RESISTOR		
	Q 705	2SD2395/EF/	TRANSISTOR				R 452	NRSA63J-103X	MG RESISTOR		
	Q 706	KTA1023/OY/-T	TRANSISTOR				R 453	NRSA63J-102X	MG RESISTOR		
	Q 707	KTC3200/GL/-T	TRANSISTOR				R 454	NRSA63J-102X	MG RESISTOR		
	Q 708	KRC109M-T	D TRANSISTOR				R 455	NRSA63J-103X	MG RESISTOR		
	Q 709	KRC109M-T	D TRANSISTOR				R 456	NRSA63J-103X	MG RESISTOR		
	Q 710	KRC109M-T	D TRANSISTOR				R 464	NRSA63J-221X	MG RESISTOR		
	Q 711	KRC109M-T	D TRANSISTOR				R 465	NRSA63J-221X	MG RESISTOR		
	Q 712	KRC109M-T	D TRANSISTOR				R 466	NRSA63J-221X	MG RESISTOR		
	Q 713	KRC109M-T	D TRANSISTOR				R 467	NRSA63J-221X	MG RESISTOR		
	Q 714	KRC109M-T	D TRANSISTOR				R 468	NRSA63J-221X	MG RESISTOR		
	Q 715	KRC109M-T	D TRANSISTOR				R 469	NRSA63J-221X	MG RESISTOR		
	R 400	NRSA63J-103X	MG RESISTOR				R 470	NRSA63J-221X	MG RESISTOR		
	R 401	NRSA63J-223X	MG RESISTOR				R 471	NRSA63J-221X	MG RESISTOR		
	R 402	NRSA63J-473X	MG RESISTOR				R 472	NRSA63J-221X	MG RESISTOR		
	R 403	NRSA63J-683X	MG RESISTOR				R 473	NRSA63J-221X	MG RESISTOR		
	R 404	NRSA63J-473X	MG RESISTOR				R 474	NRSA63J-221X	MG RESISTOR		
	R 405	NRSA63J-153X	MG RESISTOR				R 475	NRSA63J-221X	MG RESISTOR		
	R 406	NRSA63J-273X	MG RESISTOR				R 476	NRSA63J-221X	MG RESISTOR		
	R 407	NRSA63J-103X	MG RESISTOR				R 477	NRSA63J-221X	MG RESISTOR		
	R 408	NRSA63J-103X	MG RESISTOR				R 478	NRSA63J-221X	MG RESISTOR		
	R 409	NRSA63J-473X	MG RESISTOR				R 479	NRSA63J-221X	MG RESISTOR		
	R 410	NRSA63J-473X	MG RESISTOR				R 480	NRSA63J-221X	MG RESISTOR		
	R 411	NRSA63J-683X	MG RESISTOR				R 488	NRSA63J-103X	MG RESISTOR		
	R 412	NRSA63J-473X	MG RESISTOR				R 489	NRSA63J-103X	MG RESISTOR		
	R 413	NRSA63J-153X	MG RESISTOR				R 490	NRSA63J-103X	MG RESISTOR		
	R 414	NRSA63J-273X	MG RESISTOR				R 491	NRSA63J-221X	MG RESISTOR		
	R 415	NRSA63J-103X	MG RESISTOR				R 492	NRSA63J-392X	MG RESISTOR		
	R 416	NRSA63J-103X	MG RESISTOR				R 493	NRSA63J-103X	MG RESISTOR		
	R 417	NRSA63J-223X	MG RESISTOR				R 494	NRSA63J-103X	MG RESISTOR		
	R 418	NRSA63J-473X	MG RESISTOR				R 495	NRSA63J-103X	MG RESISTOR		
	R 419	NRSA63J-683X	MG RESISTOR				R 496	NRSA63J-103X	MG RESISTOR		
	R 420	NRSA63J-473X	MG RESISTOR				R 497	NRSA63J-103X	MG RESISTOR		
	R 421	NRSA63J-153X	MG RESISTOR				R 498	NRSA63J-103X	MG RESISTOR		
	R 422	NRSA63J-273X	MG RESISTOR				R 499	NRSA63J-103X	MG RESISTOR		
	R 423	NRSA63J-103X	MG RESISTOR				△ R 701	QRL022J-562	UNF OMF RESISTOR	5.6K 5% 1/2W	
	R 424	NRSA63J-103X	MG RESISTOR				R 704	NRSA63J-104X	MG RESISTOR		
	R 425	NRSA63J-103X	MG RESISTOR				R 705	NRSA63J-104X	MG RESISTOR		
	R 426	NRSA63J-223X	MG RESISTOR				R 706	NRSA63J-823X	MG RESISTOR		
	R 427	NRSA63J-472X	MG RESISTOR				R 707	NRSA63J-104X	MG RESISTOR		
	R 428	NRSA63J-221X	MG RESISTOR				R 708	NRSA63J-823X	MG RESISTOR		
	R 429	NRSA63J-103X	MG RESISTOR				R 709	NRSA63J-103X	MG RESISTOR		
	R 430	NRSA63J-102X	MG RESISTOR				R 710	NRSA63J-103X	MG RESISTOR		
	R 431	NRSA63J-102X	MG RESISTOR				R 711	NRSA63J-104X	MG RESISTOR		
	R 432	NRSA63J-122X	MG RESISTOR				R 712	NRSA63J-104X	MG RESISTOR		
	R 433	NRSA63J-152X	MG RESISTOR				△ R 713	QRZ9005-100X	F RESISTOR	10 1/0W	
	R 434	NRSA63J-222X	MG RESISTOR				△ R 714	QRJ146J-103X	UNF C RESISTOR	10K 5% 1/4W	
	R 435	NRSA63J-272X	MG RESISTOR				△ R 715	QRZ9005-100X	F RESISTOR	10 1/0W	
	R 436	NRSA63J-103X	MG RESISTOR				△ R 716	QRJ146J-102X	UNF C RESISTOR	1.0K 5% 1/4W	
	R 437	NRSA63J-102X	MG RESISTOR				△ R 717	QRJ146J-223X	UNF C RESISTOR	22K 5% 1/4W	
	R 438	NRSA63J-102X	MG RESISTOR				R 718	NRSA63J-103X	MG RESISTOR		
	R 439	NRSA63J-122X	MG RESISTOR				R 719	NRSA63J-473X	MG RESISTOR		
	R 440	NRSA63J-152X	MG RESISTOR				△ R 720	QRJ146J-392X	UNF C RESISTOR	3.9K 5% 1/4W	
	R 441	NRSA63J-222X	MG RESISTOR				R 721	NRSA63J-472X	MG RESISTOR		
	R 442	NRSA63J-272X	MG RESISTOR				R 722	NRSA63J-223X	MG RESISTOR		
	R 443	NRSA63J-392X	MG RESISTOR				R 723	NRSA63J-153X	MG RESISTOR		
	R 444	NRSA63J-103X	MG RESISTOR				R 724	NRSA63J-472X	MG RESISTOR		
	R 445	NRSA63J-102X	MG RESISTOR				R 725	NRSA63J-472X	MG RESISTOR		
	R 446	NRSA63J-102X	MG RESISTOR				R 726	NRSA63J-472X	MG RESISTOR		
	R 447	NRSA63J-122X	MG RESISTOR				R 727	NRSA63J-472X	MG RESISTOR		

■ Electrical parts list (Main & System control board) Block No. 02

△	Item	Parts number	Parts name	Remarks	Area
	R 728	NRSA63J-472X	MG RESISTOR		
	R 729	NRSA63J-223X	MG RESISTOR		
	R 730	NRSA63J-153X	MG RESISTOR		
	R 731	NRSA63J-223X	MG RESISTOR		
	R 732	NRSA63J-153X	MG RESISTOR		
△	R 741	QRJ146J-120X	UNF C RESISTOR	12 5% 1/4W	
△	R 742	QRJ146J-120X	UNF C RESISTOR	12 5% 1/4W	
△	R 743	QRJ146J-120X	UNF C RESISTOR	12 5% 1/4W	
△	R 745	QRJ146J-3R9X	UNF C RESISTOR	3.9 5% 1/4W	
△	R 746	QRJ146J-3R9X	UNF C RESISTOR	3.9 5% 1/4W	
△	R 747	QRJ146J-3R9X	UNF C RESISTOR	3.9 5% 1/4W	
△	R 748	QRJ146J-3R9X	UNF C RESISTOR	3.9 5% 1/4W	
△	R 749	QRJ146J-3R9X	UNF C RESISTOR	3.9 5% 1/4W	
△	RY701	QSK0082-001	RELAY		
△	RY741	QSK0109-001	RELAY		
△	RY742	QSK0109-001	RELAY		
△	RY743	QSK0109-001	RELAY		
	R1422	NRSA63J-104X	MG RESISTOR		
	R1431	NRSA63J-221X	MG RESISTOR		
	R1432	NRSA63J-221X	MG RESISTOR		
	R1433	NRSA63J-221X	MG RESISTOR		
	S 401	QSW0683-001Z	PUSH SWITCH	SURROUND	
	S 402	QSW0683-001Z	PUSH SWITCH	DSP MODE	
	S 403	QSW0683-001Z	PUSH SWITCH	INPUT MODE	
	S 404	QSW0683-001Z	PUSH SWITCH	DVD	
	S 405	QSW0683-001Z	PUSH SWITCH	STB	
	S 406	QSW0683-001Z	PUSH SWITCH	UP	
	S 407	QSW0683-001Z	PUSH SWITCH	LEFT	
	S 408	QSW0683-001Z	PUSH SWITCH	VOL.DOWN	
	S 409	QSW0683-001Z	PUSH SWITCH	ADJUST	
	S 410	QSW0683-001Z	PUSH SWITCH	SETTING	
	S 411	QSW0683-001Z	PUSH SWITCH	VCR	
	S 412	QSW0683-001Z	PUSH SWITCH	TV	
	S 413	QSW0683-001Z	PUSH SWITCH	DOWN	
	S 414	QSW0683-001Z	PUSH SWITCH	RIGHT	
	S 415	QSW0683-001Z	PUSH SWITCH	VOL.UP	
	S 416	QSW0683-001Z	PUSH SWITCH	MEMORY	
	S 417	QSW0683-001Z	PUSH SWITCH	TAPE	
	S 418	QSW0683-001Z	PUSH SWITCH	FM/AM	
	S 421	QSW0683-001Z	PUSH SWITCH	POWER	
	S 422	QSW0683-001Z	PUSH SWITCH	AMP/SWITCH	
	ST741	QNB0082-001	SPK TERMINAL	FRONT	
	ST742	QNB0016-001	SPK TERMINAL	CNT/SR	
	X 401	QAX0246-001Z	RESONATOR		

## ■ Electrical parts list (Audio signal input board)

Block No. 03

△	Item	Parts number	Parts name	Remarks	Area
	C 501	NCS31HJ-331X	C CAPACITOR		
	C 502	NCS31HJ-331X	C CAPACITOR		
	C 503	QETN1HM-475Z	E CAPACITOR	4.7MF 20% 50V	
	C 504	QETN1HM-475Z	E CAPACITOR	4.7MF 20% 50V	
	C 505	QETN1HM-475Z	E CAPACITOR	4.7MF 20% 50V	
	C 506	QETN1HM-475Z	E CAPACITOR	4.7MF 20% 50V	
	C 507	NCS31HJ-331X	C CAPACITOR		
	C 508	NCS31HJ-331X	C CAPACITOR		
	C 509	QETN1HM-475Z	E CAPACITOR	4.7MF 20% 50V	
	C 510	QETN1HM-475Z	E CAPACITOR	4.7MF 20% 50V	
	C 511	QETN1HM-475Z	E CAPACITOR	4.7MF 20% 50V	
	C 512	QETN1HM-475Z	E CAPACITOR	4.7MF 20% 50V	
	C 513	NCS31HJ-331X	C CAPACITOR		
	C 514	NCS31HJ-331X	C CAPACITOR		
	C 515	NCS31HJ-221X	C CAPACITOR		
	C 516	NCS31HJ-221X	C CAPACITOR		
	C 517	NCS31HJ-331X	C CAPACITOR		
	C 518	NCS31HJ-331X	C CAPACITOR		
	C 519	QETN1HM-475Z	E CAPACITOR	4.7MF 20% 50V	
	C 520	QETN1HM-475Z	E CAPACITOR	4.7MF 20% 50V	
	C 521	QETN1HM-106Z	E CAPACITOR	10MF 20% 50V	
	C 522	QETN1HM-106Z	E CAPACITOR	10MF 20% 50V	
	C 523	QFLC1HJ-683Z	M CAPACITOR	.068MF 5% 50V	
	C 524	QFLC1HJ-683Z	M CAPACITOR	.068MF 5% 50V	
	C 525	QFLC1HJ-682Z	M CAPACITOR	6800PF 5% 50V	
	C 526	QFLC1HJ-682Z	M CAPACITOR	6800PF 5% 50V	
	C 527	QFLC1HJ-682Z	M CAPACITOR	6800PF 5% 50V	
	C 528	QFLC1HJ-682Z	M CAPACITOR	6800PF 5% 50V	
	C 529	QETN1HM-475Z	E CAPACITOR	4.7MF 20% 50V	
	C 530	QETN1HM-475Z	E CAPACITOR	4.7MF 20% 50V	
	C 531	QFLC1HJ-104Z	M CAPACITOR	.10MF 5% 50V	
	C 532	QFLC1HJ-104Z	M CAPACITOR	.10MF 5% 50V	
	C 533	QFLC1HJ-104Z	M CAPACITOR	.10MF 5% 50V	
	C 534	QFLC1HJ-104Z	M CAPACITOR	.10MF 5% 50V	
	C 535	NCB31CK-223X	C CAPACITOR		
	C 536	NCB31CK-223X	C CAPACITOR		
	C 537	NCB31CK-223X	C CAPACITOR		
	C 541	QETN1HM-475Z	E CAPACITOR	4.7MF 20% 50V	
	C 542	QETN1HM-475Z	E CAPACITOR	4.7MF 20% 50V	
	C 544	QETN1HM-475Z	E CAPACITOR	4.7MF 20% 50V	
	C 545	QETN1HM-475Z	E CAPACITOR	4.7MF 20% 50V	
	C 546	QETN1HM-475Z	E CAPACITOR	4.7MF 20% 50V	
	C 549	QETN1HM-475Z	E CAPACITOR	4.7MF 20% 50V	
	C 550	QETN1HM-475Z	E CAPACITOR	4.7MF 20% 50V	
	C 551	QFLC1HJ-562Z	M CAPACITOR	5600PF 5% 50V	
	C 552	QFLC1HJ-562Z	M CAPACITOR	5600PF 5% 50V	
	C 553	QETN0JM-477Z	E CAPACITOR	470MF 20% 6.3V	
	C 554	QETN1HM-225Z	E CAPACITOR	2.2MF 20% 50V	
	C 555	NCB31CK-223X	C CAPACITOR		
	C 556	NCB31CK-223X	C CAPACITOR		
	C 557	QETN1EM-476Z	E CAPACITOR	47MF 20% 25V	
	C 558	QETN1EM-476Z	E CAPACITOR	47MF 20% 25V	
	C 559	QETN1EM-476Z	E CAPACITOR	47MF 20% 25V	
	C 560	QETN1EM-107Z	E CAPACITOR	100MF 20% 25V	
	C 561	QETN1EM-107Z	E CAPACITOR	100MF 20% 25V	
	C 562	QETN1EM-107Z	E CAPACITOR	100MF 20% 25V	
	C 563	QCZ0205-155Z	ML C CAPACITOR	1.5MF	
	C 564	QCF31HZ-223Z	C CAPACITOR	.022MF +80~-20%	
	C 565	QETN1EM-107Z	E CAPACITOR	100MF 20% 25V	
	C 566	QETN1EM-107Z	E CAPACITOR	100MF 20% 25V	
	C 577	QETN1CM-476Z	E CAPACITOR	47MF 20% 16V	
	C 578	QETN1CM-476Z	E CAPACITOR	47MF 20% 16V	
	C 581	QETN1HM-225Z	E CAPACITOR	2.2MF 20% 50V	

△	Item	Parts number	Parts name	Remarks	Area
	C 591	NCS31HJ-220X	C CAPACITOR		
	C 592	NCS31HJ-220X	C CAPACITOR		
	C 601	QETN1HM-106Z	E CAPACITOR	10MF 20% 50V	
	C 602	QETN1HM-106Z	E CAPACITOR	10MF 20% 50V	
	C 603	QETN1HM-475Z	E CAPACITOR	4.7MF 20% 50V	
	C 604	QETN1HM-475Z	E CAPACITOR	4.7MF 20% 50V	
	C 605	QETN1HM-475Z	E CAPACITOR	4.7MF 20% 50V	
	C 606	QETN1HM-475Z	E CAPACITOR	4.7MF 20% 50V	
	CL501	QZW0038-001	WIRE CLAMP		
	CL502	QZW0038-001	WIRE CLAMP		
	CN205	QGD2501C1-04Z	SOCKET		
	CN411	QGF1205C1-17	CONNECTOR		
	CN412	QGF1205F1-14	CONNECTOR		
	CN501	QGB2510J1-20	CONNECTOR		
	CN502	QGF1205C1-27	CONNECTOR		
	CN503	QGB2510J1-12	CONNECTOR		
	CN504	QGB2510J1-04	CONNECTOR		
	CN505	QJP001-031401	SHI CR C-B WIRE		
	CN506	QJP002-021401	SHI CR C-B WIRE		
	CN507	QJP001-031101	SHI CR C-B WIRE		
	CN508	QJQ007-031201	SKT WIRE ASSY		
	CN511	QGB2510K1-20	B TO B CONNE		
	CN512	QGF1205F1-27	CONNECTOR		
	CN601	QGB2510J1-20	CONNECTOR		
	C1505	NCS31HJ-331X	C CAPACITOR		
	C1506	NCS31HJ-331X	C CAPACITOR		
	C1507	QETN1HM-475Z	E CAPACITOR	4.7MF 20% 50V	
	C1508	NCS31HJ-470X	C CAPACITOR		
	C1509	QETN0JM-477Z	E CAPACITOR	470MF 20% 6.3V	
	C1510	QETN1HM-475Z	E CAPACITOR	4.7MF 20% 50V	
	C1515	NCS31HJ-331X	C CAPACITOR		
	C1516	NCS31HJ-331X	C CAPACITOR		
	C1517	NCS31HJ-470X	C CAPACITOR		
	C1518	QETN0JM-477Z	E CAPACITOR	470MF 20% 6.3V	
	C1519	NCS31HJ-470X	C CAPACITOR		
	C1520	QETN0JM-477Z	E CAPACITOR	470MF 20% 6.3V	
	C1521	NCS31HJ-470X	C CAPACITOR		
	C1522	QETN1HM-475Z	E CAPACITOR	4.7MF 20% 50V	
	C1523	NCS31HJ-470X	C CAPACITOR		
	C1524	QETN0JM-477Z	E CAPACITOR	470MF 20% 6.3V	
	C1528	QETN1CM-476Z	E CAPACITOR	47MF 20% 16V	
	C1529	QCZ0205-155Z	ML C CAPACITOR	1.5MF	
	C1536	QETN0JM-477Z	E CAPACITOR	470MF 20% 6.3V	
	C1538	QETN1HM-475Z	E CAPACITOR	4.7MF 20% 50V	
	C1539	QETN1HM-475Z	E CAPACITOR	4.7MF 20% 50V	
	C1540	NCS31HJ-470X	C CAPACITOR		
	C1541	QETN1CM-476Z	E CAPACITOR	47MF 20% 16V	
	C1542	QETN1HM-475Z	E CAPACITOR	4.7MF 20% 50V	
	C1543	NCB31CK-223X	C CAPACITOR		
	C1544	NCB31CK-223X	C CAPACITOR		
	D 503	MTZJ7.5C-T2	Z DIODE		
	D 504	MTZJ7.5C-T2	Z DIODE		
	D 505	MTZJ15C-T2	Z DIODE		
	D 506	MTZJ15C-T2	Z DIODE		
	D 507	MTZJ5.6C-T2	Z DIODE		
	D 508	MTZJ5.6C-T2	Z DIODE		
	D 509	1SS355-X	DIODE		
	D 511	MTZJ13C-T2	Z DIODE		
	D 512	MTZJ13C-T2	Z DIODE		
	D 513	MTZJ13C-T2	Z DIODE		
	D 514	MTZJ13C-T2	Z DIODE		
	D 515	MTZJ13C-T2	Z DIODE		
	D 516	MTZJ13C-T2	Z DIODE		

## ■ Electrical parts list (Audio signal input board)

Block No. 03

△	Item	Parts number	Parts name	Remarks	Area	△	Item	Parts number	Parts name	Remarks	Area
	D 517	MTZJ13C-T2	Z DIODE				Q 525	DTA114EKA-X	D TRANSISTOR		
	D 518	MTZJ13C-T2	Z DIODE			△	Q 526	2SD2395/EF/	TRANSISTOR		
	D 519	MTZJ10C-T2	Z DIODE				Q1501	DTC114TKA-X	TRANSISTOR		
	D 520	MTZJ13C-T2	Z DIODE				Q1502	DTC114TKA-X	TRANSISTOR		
	D1501	MTZJ13C-T2	Z DIODE				Q1503	DTC114TKA-X	TRANSISTOR		
	D1503	MTZJ13C-T2	Z DIODE				Q1504	KTA1267/YG/-T	TRANSISTOR		
	D1504	MTZJ13C-T2	Z DIODE				Q1505	KTA1267/YG/-T	TRANSISTOR		
	D1505	MTZJ13C-T2	Z DIODE				Q1506	KTA1267/YG/-T	TRANSISTOR		
	D1506	MTZJ8.2C-T2	Z DIODE				Q1514	DTC114EKA-X	TRANSISTOR		
	D1507	1SS133-T2	SI DIODE				Q1515	DTC114EKA-X	TRANSISTOR		
	D1508	1SS133-T2	SI DIODE				Q1520	DTC114EKA-X	TRANSISTOR		
	EP501	E409182-001SM	GRAND TERMINAL				Q1521	DTC114TKA-X	TRANSISTOR		
	EP502	QNZ0136-001Z	EARTH PLATE				Q1522	DTC114TKA-X	TRANSISTOR		
	EP511	E409182-001SM	GRAND TERMINAL				Q1523	2SC3576-JVC-T	TRANSISTOR		
	FL501	QQR0590-001	FILTER				Q1524	2SC3576-JVC-T	TRANSISTOR		
	FL502	QQR0590-001	FILTER				Q1525	2SC3576-JVC-T	TRANSISTOR		
	FW501	QUM132-06Z4Z4	PARA RIBON WIRE				Q1526	2SC3576-JVC-T	TRANSISTOR		
	HS512	E70306-001	HEAT SINK				Q1527	KTA1267/YG/-T	TRANSISTOR		
	HS513	E70306-001	HEAT SINK				Q1528	KTA1267/YG/-T	TRANSISTOR		
	HS514	E70306-001	HEAT SINK				Q1531	DTA114YKA-X	TRANSISTOR		
	HS515	E70306-001	HEAT SINK				Q1532	DTA114YKA-X	TRANSISTOR		
	HS520	E70306-001	HEAT SINK				R 501	NRSA63J-471X	MG RESISTOR		
	HS521	E70306-001	HEAT SINK				R 502	NRSA63J-471X	MG RESISTOR		
	HS526	E70306-001	HEAT SINK				R 503	NRSA63J-750X	MG RESISTOR		
	IC501	M61501FP	IC				R 504	NRSA63J-331X	MG RESISTOR		
	IC503	BA15218F-XE	IC				R 505	NRSA63J-750X	MG RESISTOR		
	IC511	NJM2246M-X	IC				R 506	NRSA63J-331X	MG RESISTOR		
	IC512	NJM2246M-X	IC				R 507	NRSA63J-750X	MG RESISTOR		
	IC513	NJM2246M-X	IC				R 508	NRSA63J-331X	MG RESISTOR		
	IC514	NJM2293M-W	IC				R 509	NRSA63J-750X	MG RESISTOR		
	IC515	NJM2279M-W	IC				R 510	NRSA63J-750X	MG RESISTOR		
	IC516	NJM2267M-W	IC				R 511	NRSA63J-331X	MG RESISTOR		
	J 501	QNZ0502-001	RGB CONNECTOR	DVD			R 513	NRSA63J-471X	MG RESISTOR		
	J 502	QNZ0502-001	RGB CONNECTOR	STB			R 514	NRSA63J-471X	MG RESISTOR		
	J 503	QNN0163-001	PIN JACK				R 515	NRSA63J-750X	MG RESISTOR		
	J 504	QNN0060-001	PIN JACK	SUBWOOFER OUT			R 516	NRSA63J-331X	MG RESISTOR		
	J1501	QNZ0502-001	RGB CONNECTOR	VCR			R 517	NRSA63J-750X	MG RESISTOR		
	J1502	QNZ0502-001	RGB CONNECTOR	TV			R 518	NRSA63J-331X	MG RESISTOR		
	K 501	NRSA63J-0R0X	MG RESISTOR				R 519	NRSA63J-750X	MG RESISTOR		
	K 502	NRSA63J-0R0X	MG RESISTOR				R 520	NRSA63J-331X	MG RESISTOR		
	Q 501	2SC3576-JVC-T	TRANSISTOR				R 521	NRSA63J-750X	MG RESISTOR		
	Q 502	2SC3576-JVC-T	TRANSISTOR				R 522	NRSA63J-750X	MG RESISTOR		
	Q 503	2SC3576-JVC-T	TRANSISTOR				R 523	NRSA63J-331X	MG RESISTOR		
	Q 505	2SC3576-JVC-T	TRANSISTOR				R 525	NRSA63J-471X	MG RESISTOR		
	Q 506	2SC3576-JVC-T	TRANSISTOR				R 526	NRSA63J-471X	MG RESISTOR		
	Q 507	2SC3576-JVC-T	TRANSISTOR				R 527	NRSA63J-471X	MG RESISTOR		
	Q 508	2SC3576-JVC-T	TRANSISTOR				R 528	NRSA63J-471X	MG RESISTOR		
	Q 509	DTA114YKA-X	TRANSISTOR				R 529	NRSA63J-102X	MG RESISTOR		
△	Q 510	KTA1271/OY/-T	TRANSISTOR				R 530	NRSA63J-102X	MG RESISTOR		
△	Q 511	KTC3203/OY/-T	TRANSISTOR				R 531	NRSA63J-103X	MG RESISTOR		
△	Q 512	KTA1046/Y/	TRANSISTOR				R 532	NRSA63J-103X	MG RESISTOR		
△	Q 513	2SD2395/EF/	TRANSISTOR				R 533	NRSA63J-472X	MG RESISTOR		
△	Q 514	2SD2395/EF/	TRANSISTOR				R 534	NRSA63J-472X	MG RESISTOR		
△	Q 515	2SD2395/EF/	TRANSISTOR				R 535	NRSA63J-103X	MG RESISTOR		
	Q 516	DTA114YKA-X	TRANSISTOR				R 536	NRSA63J-103X	MG RESISTOR		
	Q 517	DTC114EKA-X	TRANSISTOR				R 537	NRSA63J-103X	MG RESISTOR		
△	Q 518	KTC3203/OY/-T	TRANSISTOR				R 538	NRSA63J-103X	MG RESISTOR		
	Q 519	DTC114EKA-X	TRANSISTOR			△	R 541	QRJ146J-2R2X	UNF C RESISTOR	2.2 5% 1/4W	
△	Q 520	2SD2395/EF/	TRANSISTOR			△	R 542	QRJ146J-2R2X	UNF C RESISTOR	2.2 5% 1/4W	
△	Q 521	2SD2395/EF/	TRANSISTOR				R 545	NRSA63J-104X	MG RESISTOR		
	Q 522	DTA114EKA-X	D TRANSISTOR				R 546	NRSA63J-104X	MG RESISTOR		
	Q 523	DTC114EKA-X	TRANSISTOR				R 547	NRSA63J-102X	MG RESISTOR		
	Q 524	DTA114EKA-X	D TRANSISTOR				R 548	NRSA63J-102X	MG RESISTOR		

## ■ Electrical parts list (Audio signal input board)

Block No. 03

△	Item	Parts number	Parts name	Remarks	Area
	R 549	NRSA63J-103X	MG RESISTOR		
	R 550	NRSA63J-103X	MG RESISTOR		
	R 552	NRSA63J-104X	MG RESISTOR		
	R 554	NRSA63J-273X	MG RESISTOR		
	R 556	NRSA63J-102X	MG RESISTOR		
	R 557	NRSA63J-104X	MG RESISTOR		
	R 558	NRSA63J-104X	MG RESISTOR		
	R 559	NRSA63J-102X	MG RESISTOR		
	R 561	NRSA63J-103X	MG RESISTOR		
	R 569	NRSA63J-104X	MG RESISTOR		
	R 570	NRSA63J-104X	MG RESISTOR		
	R 571	NRSA63J-102X	MG RESISTOR		
	R 572	NRSA63J-102X	MG RESISTOR		
	R 573	NRSA63J-103X	MG RESISTOR		
	R 574	NRSA63J-103X	MG RESISTOR		
	R 575	NRSA63J-472X	MG RESISTOR		
	R 576	NRSA63J-472X	MG RESISTOR		
△	R 577	QRJ146J-220X	UNF C RESISTOR	22 5% 1/4W	
	R 578	NRSA63J-102X	MG RESISTOR		
△	R 579	QRZ9005-680X	F RESISTOR	68 1/0W	
△	R 580	QRZ9005-680X	F RESISTOR	68 1/0W	
△	R 581	QRZ9005-100X	F RESISTOR	10 1/0W	
△	R 582	QRJ146J-222X	UNF C RESISTOR	2.2K 5% 1/4W	
△	R 583	QRZ9005-100X	F RESISTOR	10 1/0W	
△	R 584	QRJ146J-222X	UNF C RESISTOR	2.2K 5% 1/4W	
△	R 585	QRZ9005-100X	F RESISTOR	10 1/0W	
△	R 586	QRJ146J-182X	UNF C RESISTOR	1.8K 5% 1/4W	
△	R 588	QRJ146J-182X	UNF C RESISTOR	1.8K 5% 1/4W	
△	R 589	QRZ9005-120X	F RESISTOR	12 1/0W	
△	R 590	QRJ146J-682X	UNF C RESISTOR	6.8K 5% 1/4W	
△	R 591	QRZ9006-4R7X	F RESISTOR	4.7 1/0W	
△	R 592	QRZ9006-4R7X	F RESISTOR	4.7 1/0W	
△	R 593	QRJ146J-272X	UNF C RESISTOR	2.7K 5% 1/4W	
△	R 594	QRZ9006-5R6X	F RESISTOR	5.6 1/0W	
△	R 595	QRZ9005-100X	F RESISTOR	10 1/0W	
△	R 596	QRJ146J-102X	UNF C RESISTOR	1.0K 5% 1/4W	
△	R 597	QRZ9006-4R7X	F RESISTOR	4.7 1/0W	
△	R 598	QRJ146J-182X	UNF C RESISTOR	1.8K 5% 1/4W	
△	R 599	QRZ9006-4R7X	F RESISTOR	4.7 1/0W	
△	R 602	QRK126J-120X	UNF C RESISTOR	12 5% 1/2W	
△	R 603	QRK126J-3R9X	C RESISTOR	3.9 5% 1/2W	
	R1501	NRSA63J-101X	MG RESISTOR		
	R1502	NRSA63J-101X	MG RESISTOR		
	R1503	NRSA63J-471X	MG RESISTOR		
	R1504	NRSA63J-471X	MG RESISTOR		
	R1505	NRSA63J-750X	MG RESISTOR		
	R1506	NRSA63J-331X	MG RESISTOR		
	R1507	NRSA63J-473X	MG RESISTOR		
	R1508	NRSA63J-750X	MG RESISTOR		
	R1509	NRSA63J-750X	MG RESISTOR		
	R1510	NRSA63J-331X	MG RESISTOR		
	R1511	NRSA63J-101X	MG RESISTOR		
	R1512	NRSA63J-101X	MG RESISTOR		
	R1513	NRSA63J-471X	MG RESISTOR		
	R1514	NRSA63J-471X	MG RESISTOR		
	R1515	NRSA63J-750X	MG RESISTOR		
	R1516	NRSA63J-473X	MG RESISTOR		
	R1517	NRSA63J-750X	MG RESISTOR		
	R1518	NRSA63J-473X	MG RESISTOR		
	R1519	NRSA63J-750X	MG RESISTOR		
	R1520	NRSA63J-473X	MG RESISTOR		
	R1521	NRSA63J-750X	MG RESISTOR		
	R1522	NRSA63J-750X	MG RESISTOR		

△	Item	Parts number	Parts name	Remarks	Area
	R1523	NRSA63J-331X	MG RESISTOR		
	R1524	NRSA63J-750X	MG RESISTOR		
	R1525	NRSA63J-473X	MG RESISTOR		
	R1529	NRSA63J-391X	MG RESISTOR		
	R1530	NRSA63J-391X	MG RESISTOR		
	R1531	NRSA63J-391X	MG RESISTOR		
	R1547	NRSA63J-102X	MG RESISTOR		
	R1548	NRSA63J-102X	MG RESISTOR		
	R1549	NRSA63J-104X	MG RESISTOR		
△	R1556	QRJ146J-2R2X	UNF C RESISTOR	2.2 5% 1/4W	
	R1558	NRSA63J-105X	MG RESISTOR		
	R1560	NRSA63J-750X	MG RESISTOR		
	R1561	NRSA63J-751X	MG RESISTOR		
	R1562	NRSA63J-751X	MG RESISTOR		
	R1563	NRSA63J-103X	MG RESISTOR		
	R1564	NRSA63J-103X	MG RESISTOR		
	R1565	NRSA63J-751X	MG RESISTOR		
	R1566	NRSA63J-751X	MG RESISTOR		
	R1567	NRSA63J-103X	MG RESISTOR		
	R1568	NRSA63J-103X	MG RESISTOR		
	R1569	NRSA63J-331X	MG RESISTOR		
	R1570	NRSA63J-750X	MG RESISTOR		
	R1571	NRSA63J-331X	MG RESISTOR		
	R1572	NRSA63J-750X	MG RESISTOR		
	R1573	NRSA63J-511X	MG RESISTOR		
	R1574	NRSA63J-511X	MG RESISTOR		
△	R1575	QRZ9005-101X	F RESISTOR	100 1/0W	
	R1576	NRSA63J-221X	MG RESISTOR		
	R1577	NRSA63J-221X	MG RESISTOR		
	R1578	NRSA63J-221X	MG RESISTOR		
	R1579	NRSA63J-103X	MG RESISTOR		
	R1601	NRSA63J-104X	MG RESISTOR		
	R1602	NRSA63J-104X	MG RESISTOR		
	R1603	NRSA63J-104X	MG RESISTOR		
	R1604	NRSA63J-104X	MG RESISTOR		
	R1605	NRSA63J-301X	MG RESISTOR		
	R1606	NRSA63J-301X	MG RESISTOR		
	R1611	NRSA63J-104X	MG RESISTOR		
	R1612	NRSA63J-104X	MG RESISTOR		
	R1613	NRSA63J-104X	MG RESISTOR		
	R1614	NRSA63J-104X	MG RESISTOR		
	R1615	NRSA63J-104X	MG RESISTOR		
	R1616	NRSA63J-104X	MG RESISTOR		
	R1617	NRSA63J-104X	MG RESISTOR		
	R1618	NRSA63J-104X	MG RESISTOR		
	R1619	NRSA63J-104X	MG RESISTOR		
	R1620	NRSA63J-104X	MG RESISTOR		
	R1621	NRSA63J-102X	MG RESISTOR		
	R1623	QRE141J-820Y	C RESISTOR	82 5% 1/4W	
	R1624	QRE141J-820Y	C RESISTOR	82 5% 1/4W	
△	R1625	QRJ146J-2R2X	UNF C RESISTOR	2.2 5% 1/4W	
△	R1626	QRJ146J-2R2X	UNF C RESISTOR	2.2 5% 1/4W	
	R1631	NQR0269-004X	FERRITE BEADS		
	R1632	NQR0269-004X	FERRITE BEADS		
	R1633	NQR0269-004X	FERRITE BEADS		
	R1634	NQR0269-004X	FERRITE BEADS		

## ■ Electrical parts list (DSP board)

Block No. 04

△	Item	Parts number	Parts name	Remarks	Area	△	Item	Parts number	Parts name	Remarks	Area
	C 601	NCB31HK-221X	C CAPACITOR				C2515	NCS31HJ-121X	C CAPACITOR		
	C 602	NCB31HK-221X	C CAPACITOR				C2516	NCS31HJ-121X	C CAPACITOR		
	C 603	QETN0JM-107Z	E CAPACITOR	100MF 20% 6.3V			C2517	NCS31HJ-391X	C CAPACITOR		
	C 604	QETN0JM-107Z	E CAPACITOR	100MF 20% 6.3V			C2518	NCS31HJ-391X	C CAPACITOR		
	C 605	NCF31CZ-104X	C CAPACITOR				C2525	NCB31HK-102X	C CAPACITOR		
	C 606	NCF31CZ-104X	C CAPACITOR				C2526	NCB31HK-102X	C CAPACITOR		
	C 607	QETN1CM-107Z	E CAPACITOR	100MF 20% 16V			C2527	QETN1HM-106Z	E CAPACITOR	10MF 20% 50V	
	C 608	NCF31CZ-104X	C CAPACITOR				C2528	QETN1HM-106Z	E CAPACITOR	10MF 20% 50V	
	C 609	NCF31CZ-104X	C CAPACITOR				C2531	NCS31HJ-560X	C CAPACITOR		
	C 610	QETN0JM-107Z	E CAPACITOR	100MF 20% 6.3V			C2532	NCS31HJ-560X	C CAPACITOR		
	C 611	QETN0JM-107Z	E CAPACITOR	100MF 20% 6.3V			C2533	QETN1HM-475Z	E CAPACITOR	4.7MF 20% 50V	
	C 612	NCB31CK-103X	C CAPACITOR				C2534	QETN1HM-475Z	E CAPACITOR	4.7MF 20% 50V	
	C 621	QETN1HM-105Z	E CAPACITOR	1.0MF 20% 50V			C2539	NCF31CZ-104X	C CAPACITOR		
	C 622	NCS31HJ-101X	C CAPACITOR				C2540	NCF31CZ-104X	C CAPACITOR		
	C 624	NCF31CZ-104X	C CAPACITOR				C2551	NCS31HJ-560X	C CAPACITOR		
	C 626	NCB31CK-104X	C CAPACITOR				C2552	NCS31HJ-560X	C CAPACITOR		
	C 628	NCB31CK-103X	C CAPACITOR				C2555	NCF31CZ-104X	C CAPACITOR		
	C 631	QETN0JM-107Z	E CAPACITOR	100MF 20% 6.3V			C2556	NCF31CZ-104X	C CAPACITOR		
	C 632	NCB31CK-103X	C CAPACITOR				C2561	QETN1HM-105Z	E CAPACITOR	1.0MF 20% 50V	
	C 633	NCF31CZ-104X	C CAPACITOR				C2562	QETN1HM-105Z	E CAPACITOR	1.0MF 20% 50V	
	C 634	NCF31CZ-104X	C CAPACITOR				C2563	NCS31HJ-220X	C CAPACITOR		
	C 635	NCF31CZ-104X	C CAPACITOR				C2564	NCS31HJ-220X	C CAPACITOR		
	C 636	NCB31CK-473X	C CAPACITOR				C2569	NCF31CZ-104X	C CAPACITOR		
	C 638	QETN0JM-107Z	E CAPACITOR	100MF 20% 6.3V			C2570	NCF31CZ-104X	C CAPACITOR		
	C 639	NCB31CK-103X	C CAPACITOR				C2575	NCB31HK-102X	C CAPACITOR		
	C 641	QETN0JM-107Z	E CAPACITOR	100MF 20% 6.3V			C2576	NCB31HK-102X	C CAPACITOR		
	C 642	NCB31CK-103X	C CAPACITOR				C2577	QETN1HM-106Z	E CAPACITOR	10MF 20% 50V	
	C 643	NCB31AK-474X	C CAPACITOR				C2578	QETN1HM-106Z	E CAPACITOR	10MF 20% 50V	
	C 644	NCB31CK-103X	C CAPACITOR				C2581	QETN1HM-105Z	E CAPACITOR	1.0MF 20% 50V	
	C 645	NCS31HJ-101X	C CAPACITOR				C2582	QETN1CM-106Z	E CAPACITOR	10MF 20% 16V	
	C 646	NCB31CK-103X	C CAPACITOR				C2583	NCS31HJ-220X	C CAPACITOR		
	C 647	NCS31HJ-220X	C CAPACITOR				C2584	NCS31HJ-560X	C CAPACITOR		
	C 648	NCS31HJ-180X	C CAPACITOR				C2585	NCF31CZ-104X	C CAPACITOR		
	C 649	NCS31HJ-121X	C CAPACITOR				C2586	NCF31CZ-104X	C CAPACITOR		
	C 653	NCB31CK-104X	C CAPACITOR				C2587	NCS31HJ-560X	C CAPACITOR		
	C 654	QETN0JM-107Z	E CAPACITOR	100MF 20% 6.3V			C2588	QETN1HM-475Z	E CAPACITOR	4.7MF 20% 50V	
	C 661	NCB31CK-103X	C CAPACITOR				C2589	NCF31CZ-104X	C CAPACITOR		
	C 671	NCB31CK-103X	C CAPACITOR				C2590	NCF31CZ-104X	C CAPACITOR		
	C 672	QETN0JM-107Z	E CAPACITOR	100MF 20% 6.3V			C2592	NCB31HK-223X	C CAPACITOR		
	C 673	NCB31CK-103X	C CAPACITOR				C2594	NCF31CZ-104X	C CAPACITOR		
	C 677	NCS31HJ-101X	C CAPACITOR				C2595	NCB31HK-102X	C CAPACITOR		
	C 679	NCS31HJ-101X	C CAPACITOR				C2597	QETN1HM-106Z	E CAPACITOR	10MF 20% 50V	
	C 681	NCB31CK-103X	C CAPACITOR				C2598	QETN1HM-475Z	E CAPACITOR	4.7MF 20% 50V	
	C 682	NCB31CK-103X	C CAPACITOR				D 607	1SS355-X	DIODE		
	C 683	NCB31CK-103X	C CAPACITOR				D 608	1SS355-X	DIODE		
	C 684	QETN0JM-107Z	E CAPACITOR	100MF 20% 6.3V			IC601	AK4527BVQ	IC		
	C 685	QETN1CM-476Z	E CAPACITOR	47MF 20% 16V			IC609	BA15218F-XE	IC		
	C 686	QETN1CM-476Z	E CAPACITOR	47MF 20% 16V			IC610	BA15218F-XE	IC		
	C 687	NCB31CK-103X	C CAPACITOR				IC611	BU4066BCF-X	IC		
	C 688	QETN0JM-107Z	E CAPACITOR	100MF 20% 6.3V			IC621	TC7SU04FU-X	IC		
	C 689	NCB31CK-103X	C CAPACITOR				IC622	TC7SU04FU-X	IC		
	C 690	QETN0JM-107Z	E CAPACITOR	100MF 20% 6.3V			IC631	TC9446F-014	IC		
	C 693	NCB31CK-103X	C CAPACITOR				IC641	W24L010AJ-12-X	IC		
	C 694	NCB31CK-104X	C CAPACITOR				IC650	BA15218F-XE	IC		
	CN681	QGB2510K1-20	B TO B CONNE				IC651	BA15218F-XE	IC		
	C2500	QETN1CM-226Z	E CAPACITOR	22MF 20% 16V			IC652	IMX9-W	TRANSISTOR		
	C2503	QETN1HM-475Z	E CAPACITOR	4.7MF 20% 50V			IC661	BA15218F-XE	IC		
	C2504	QETN1HM-475Z	E CAPACITOR	4.7MF 20% 50V			IC662	IMX9-W	TRANSISTOR		
	C2507	NCS31HJ-330X	C CAPACITOR				IC671	UPD784215AGC103	IC		
	C2508	NCS31HJ-330X	C CAPACITOR				IC672	TC7SET32FU-X	IC		
	C2512	NCF31CZ-104X	C CAPACITOR				IC681	PQ3DZ53-X	IC		
	C2513	NCB31HK-122X	C CAPACITOR				IC682	IMX9-W	TRANSISTOR		
	C2514	NCB31HK-122X	C CAPACITOR				IC683	RN5RZ33BA-X	IC		

## ■ Electrical parts list (DSP board)

Block No. 04

△	Item	Parts number	Parts name	Remarks	Area	△	Item	Parts number	Parts name	Remarks	Area
	IC690	BA15218F-XE	IC				R 679	NRSA63J-822X	MG RESISTOR		
	IC691	BA15218F-XE	IC				R 680	NRSA63J-822X	MG RESISTOR		
	J 601	QNN0347-001	PIN JACK				R 681	NRSA63J-103X	MG RESISTOR		
	K 601	NQR0269-004X	FERRITE BEADS				R 682	NRSA63J-103X	MG RESISTOR		
	K 603	NQR0269-004X	FERRITE BEADS				R 683	NRSA63J-0R0X	MG RESISTOR		
	K 681	NQR0319-001X	F BEADS				R 684	NRSA63J-0R0X	MG RESISTOR		
	K 682	NQR0319-001X	F BEADS				R 685	NRSA63J-103X	MG RESISTOR		
	K 687	NQR0319-001X	F BEADS				R 686	NRSA63J-151X	MG RESISTOR		
	K 688	NQR0319-001X	F BEADS				R 688	NRSA63J-0R0X	MG RESISTOR		
	LC631	NQR0321-001X	EMI FILTER				R 691	NRSA63J-221X	MG RESISTOR		
	Q 601	DTC114YE-X	TRANSISTOR				R 692	NRSA63J-221X	MG RESISTOR		
	Q 607	DTA144EKA-X	TRANSISTOR				R 693	NRSA63J-221X	MG RESISTOR		
	Q 670	DTC114YE-X	TRANSISTOR				R 694	NRSA63J-221X	MG RESISTOR		
	Q 671	2SD2114K/VW/-X	CHIP TRANSISTOR				R 695	NRSA63J-221X	MG RESISTOR		
	Q 672	DTC114YE-X	TRANSISTOR				R 696	NRSA63J-221X	MG RESISTOR		
	Q 673	DTA144EKA-X	TRANSISTOR				R2500	NRSA63J-102X	MG RESISTOR		
	Q2501	DTA144EKA-X	TRANSISTOR				R2501	NRSA63J-104X	MG RESISTOR		
	R 600	NRSA63J-0R0X	MG RESISTOR				R2502	NRSA63J-104X	MG RESISTOR		
	R 601	NRSA63J-473X	MG RESISTOR				R2507	NRSA63J-223X	MG RESISTOR		
	R 602	NRSA63J-473X	MG RESISTOR				R2508	NRSA63J-223X	MG RESISTOR		
	R 603	NRSA63J-473X	MG RESISTOR				R2509	NRSA63J-223X	MG RESISTOR		
	R 606	NRSA63J-221X	MG RESISTOR				R2510	NRSA63J-223X	MG RESISTOR		
	R 607	NRSA63J-221X	MG RESISTOR				R2511	NRSA63J-912X	MG RESISTOR		
	R 608	NRSA63J-221X	MG RESISTOR				R2512	NRSA63J-912X	MG RESISTOR		
	R 609	NRSA63J-221X	MG RESISTOR				R2513	NRSA63J-103X	MG RESISTOR		
	R 611	NRSA63J-221X	MG RESISTOR				R2514	NRSA63J-103X	MG RESISTOR		
	R 612	NRSA63J-221X	MG RESISTOR				R2515	NRSA63J-103X	MG RESISTOR		
	R 613	NRSA63J-822X	MG RESISTOR				R2516	NRSA63J-103X	MG RESISTOR		
	R 615	NRSA63J-432X	MG RESISTOR				R2517	NRSA63J-103X	MG RESISTOR		
	R 617	NRSA63J-103X	MG RESISTOR				R2518	NRSA63J-103X	MG RESISTOR		
	R 618	NRSA63J-103X	MG RESISTOR				R2519	NRSA63J-331X	MG RESISTOR		
	R 621	NRSA63J-221X	MG RESISTOR				R2520	NRSA63J-331X	MG RESISTOR		
	R 622	NRSA63J-750X	MG RESISTOR				R2521	NRSA63J-331X	MG RESISTOR		
	R 623	NRSA63J-101X	MG RESISTOR				R2522	NRSA63J-331X	MG RESISTOR		
	R 627	NRSA63J-472X	MG RESISTOR				R2525	NRSA63J-471X	MG RESISTOR		
	R 628	NRSA63J-183X	MG RESISTOR				R2526	NRSA63J-471X	MG RESISTOR		
	R 632	NRSA63J-0R0X	MG RESISTOR				R2527	NRSA63J-104X	MG RESISTOR		
	R 633	NRSA63J-221X	MG RESISTOR				R2528	NRSA63J-104X	MG RESISTOR		
	R 639	NRSA63J-472X	MG RESISTOR				R2529	NRSA63J-103X	MG RESISTOR		
	R 640	NRSA63J-0R0X	MG RESISTOR				R2530	NRSA63J-103X	MG RESISTOR		
	R 641	NRSA63J-102X	MG RESISTOR				R2531	NRSA63J-912X	MG RESISTOR		
	R 642	NRSA63J-103X	MG RESISTOR				R2532	NRSA63J-912X	MG RESISTOR		
	R 643	NRSA63J-101X	MG RESISTOR				R2533	NRSA63J-103X	MG RESISTOR		
	R 644	NRSA63J-563X	MG RESISTOR				R2534	NRSA63J-103X	MG RESISTOR		
	R 645	NRSA63J-102X	MG RESISTOR				R2535	NRSA63J-103X	MG RESISTOR		
	R 646	NRSA63J-103X	MG RESISTOR				R2536	NRSA63J-103X	MG RESISTOR		
	R 647	NRSA63J-225X	MG RESISTOR				R2537	NRSA63J-104X	MG RESISTOR		
	R 648	NRSA63J-472X	MG RESISTOR				R2538	NRSA63J-104X	MG RESISTOR		
	R 657	NRSA63J-103X	MG RESISTOR				R2550	NRSA63J-272X	MG RESISTOR		
	R 661	NRSA63J-221X	MG RESISTOR				R2551	NRSA63J-103X	MG RESISTOR		
	R 662	NRSA63J-221X	MG RESISTOR				R2552	NRSA63J-103X	MG RESISTOR		
	R 663	NRSA63J-221X	MG RESISTOR				R2553	NRSA63J-153X	MG RESISTOR		
	R 664	NRSA63J-221X	MG RESISTOR				R2554	NRSA63J-153X	MG RESISTOR		
	R 669	NRSA63J-103X	MG RESISTOR				R2555	NRSA63J-752X	MG RESISTOR		
	R 670	NRSA63J-103X	MG RESISTOR				R2556	NRSA63J-752X	MG RESISTOR		
	R 671	NRSA63J-103X	MG RESISTOR				R2557	NRSA63J-103X	MG RESISTOR		
	R 672	NRSA63J-105X	MG RESISTOR				R2558	NRSA63J-223X	MG RESISTOR		
	R 673	NRSA63J-432X	MG RESISTOR				R2560	NRSA63J-105X	MG RESISTOR		
	R 674	NRSA63J-432X	MG RESISTOR				R2561	NRSA63J-104X	MG RESISTOR		
	R 675	NRSA63J-432X	MG RESISTOR				R2562	NRSA63J-104X	MG RESISTOR		
	R 676	NRSA63J-432X	MG RESISTOR				R2563	NRSA63J-103X	MG RESISTOR		
	R 677	NRSA63J-822X	MG RESISTOR				R2564	NRSA63J-103X	MG RESISTOR		
	R 678	NRSA63J-822X	MG RESISTOR				R2565	NRSA63J-302X	MG RESISTOR		

## ■ Electrical parts list (DSP board)

Block No. 04

△	Item	Parts number	Parts name	Remarks	Area
	R2566	NRSA63J-302X	MG RESISTOR		
	R2567	NRSA63J-103X	MG RESISTOR		
	R2568	NRSA63J-103X	MG RESISTOR		
	R2575	NRSA63J-102X	MG RESISTOR		
	R2576	NRSA63J-102X	MG RESISTOR		
	R2577	NRSA63J-104X	MG RESISTOR		
	R2578	NRSA63J-104X	MG RESISTOR		
	R2581	NRSA63J-104X	MG RESISTOR		
	R2582	NRSA63J-104X	MG RESISTOR		
	R2583	NRSA63J-103X	MG RESISTOR		
	R2584	NRSA63J-223X	MG RESISTOR		
	R2585	NRSA63J-272X	MG RESISTOR		
	R2586	NRSA63J-332X	MG RESISTOR		
	R2587	NRSA63J-103X	MG RESISTOR		
	R2588	NRSA63J-103X	MG RESISTOR		
	R2589	NRSA63J-104X	MG RESISTOR		
	R2590	NRSA63J-333X	MG RESISTOR		
	R2592	NRSA63J-333X	MG RESISTOR		
	R2594	NRSA63J-333X	MG RESISTOR		
	R2595	NRSA63J-102X	MG RESISTOR		
	R2596	NRSA63J-102X	MG RESISTOR		
	R2597	NRSA63J-104X	MG RESISTOR		
	R2598	NRSA63J-104X	MG RESISTOR		
	UN661	GP1FA550RZ	OPT RECEIVER		
	X 631	NAX0385-001X	CRYSTAL		
	X 671	NAX0275-001X	1COSCIALLATOR		



## ■ Electrical parts list (Tuner board)

Block No. 05

△	Item	Parts number	Parts name	Remarks	Area
	AT101	QNB0014-001	ANT TERMINAL		
	BK 1	LV31618-001A	SHIELD BKT		
	C 101	NCB21HK-103X	C CAPACITOR		
	C 103	NCB21HK-223X	C CAPACITOR		
	C 105	NCB21HK-223X	C CAPACITOR		
	C 107	QEKC1CM-226Z	E CAPACITOR	22MF 20% 16V	
	C 111	NCB21HK-473X	C CAPACITOR		
	C 112	NDC21HJ-120X	C CAPACITOR		
	C 113	QCSB1HJ-120Y	C CAPACITOR	12PF 5% 50V	
	C 121	NDC21HJ-120X	C CAPACITOR		
	C 122	NDC21HJ-120X	C CAPACITOR		
	C 123	NCB21HK-473X	C CAPACITOR		
	C 126	NCS21HJ-101X	C CAPACITOR		
	C 128	QENC1HM-474Z	NP E CAPACITOR	.47MF 20% 50V	
	C 129	NCB21HK-102X	C CAPACITOR		
	C 130	QEKC1AM-107Z	E CAPACITOR	100MF 20% 10V	
	C 133	QEKC1CM-226Z	E CAPACITOR	22MF 20% 16V	
	C 134	NCB21HK-222X	C CAPACITOR		
	C 135	NCB21HK-223X	C CAPACITOR		
	C 136	QEKC1HM-105Z	E CAPACITOR	1.0MF 20% 50V	
	C 137	NCS21HJ-680X	C CAPACITOR		
	C 139	NCB21HK-393X	C CAPACITOR		
	C 140	NCB21HK-393X	C CAPACITOR		
	C 141	NCB21HK-473X	C CAPACITOR		
	C 143	NCB21HK-223X	C CAPACITOR		
	C 144	NCB21HK-473X	C CAPACITOR		
	C 146	QEKC1HM-105Z	E CAPACITOR	1.0MF 20% 50V	
	C 147	QEKC1HM-105Z	E CAPACITOR	1.0MF 20% 50V	
	C 148	QEKC1HM-224Z	E CAPACITOR	.22MF 20% 50V	
	C 149	QEKC1HM-105Z	E CAPACITOR	1.0MF 20% 50V	
	C 150	QEKC1CM-226Z	E CAPACITOR	22MF 20% 16V	
	C 156	QDGB1HK-102Y	C CAPACITOR		
	C 157	NCB21HK-473X	C CAPACITOR		
	C 158	QEKC1CM-226Z	E CAPACITOR	22MF 20% 16V	
	C 161	QEKC1CM-106Z	E CAPACITOR	10MF 20% 16V	
	C 162	QEKC1CM-106Z	E CAPACITOR	10MF 20% 16V	
	C 163	NCB21HK-223X	C CAPACITOR		
	C 164	NCB21HK-473X	C CAPACITOR		
	C 168	QEKC1HM-105Z	E CAPACITOR	1.0MF 20% 50V	
	C 184	QEKC1CM-107Z	E CAPACITOR	100MF 20% 16V	
	C 185	QEKC1CM-106Z	E CAPACITOR	10MF 20% 16V	
	C 186	QEKC1CM-106Z	E CAPACITOR	10MF 20% 16V	
	C 191	NCS21HJ-820X	C CAPACITOR		
	C 192	NCS21HJ-470X	C CAPACITOR		
	C 193	NCB21HK-561X	C CAPACITOR		
	C 194	NCB21HK-104X	C CAPACITOR		
	C 195	NCB21HK-331X	C CAPACITOR		
	C 196	QEKC1HM-225Z	E CAPACITOR	2.2MF 20% 50V	
	C 197	NCB21HK-473X	C CAPACITOR		
	C 199	QEKC1CM-106Z	E CAPACITOR	10MF 20% 16V	
	CF101	QAX0285-001Z	C FILTER		
	CF102	QAX0285-001Z	C FILTER		
	CF103	QAX0519-001Z	C FILTER		
	CN111	QGB2501K2-12	CONNECTOR		
	CN112	QGB2501K1-04	CONNECTOR		
	D 121	1SS133-T2	SI DIODE		
	D 123	1SS133-T2	SI DIODE		
	D 129	1SS133-T2	SI DIODE		
	D 131	1SS133-T2	SI DIODE		
	IC102	LA1838	IC		
	IC121	LC72136N	IC		
	IC191	SAA6588	IC(RDS)		
	L 112	QQL231K-2R7Y	INDUCTOR		

△	Item	Parts number	Parts name	Remarks	Area
	Q 102	2SC535/BC/-T	TRANSISTOR		
	Q 103	2SC461/BC/-T	TRANSISTOR		
	Q 111	KTC3199/GL/-T	TRANSISTOR		
	Q 112	KTC3199/GL/-T	TRANSISTOR		
	Q 113	DTA114YKA-X	TRANSISTOR		
	Q 121	KRA103M-T	TRANSISTOR		
	R 103	NRSA02J-221X	MG RESISTOR		
	R 104	NRSA02J-272X	MG RESISTOR		
	R 105	NRSA02J-391X	MG RESISTOR		
	R 106	NRSA02J-102X	MG RESISTOR		
	R 107	NRSA02J-561X	MG RESISTOR		
	R 108	NRSA02J-332X	MG RESISTOR		
	R 109	NRSA02J-221X	MG RESISTOR		
	R 111	NRSA02J-182X	MG RESISTOR		
	R 112	QRE141J-182Y	C RESISTOR	1.8K 5% 1/4W	
	R 114	NRSA02J-272X	MG RESISTOR		
	R 115	NRSA02J-104X	MG RESISTOR		
	R 119	NRSA02J-103X	MG RESISTOR		
	R 122	NRSA02J-472X	MG RESISTOR		
	R 124	NRSA02J-222X	MG RESISTOR		
	R 126	NRSA02J-562X	MG RESISTOR		
	R 127	NRSA02J-822X	MG RESISTOR		
	R 128	NRSA02J-472X	MG RESISTOR		
	R 129	NRSA02J-222X	MG RESISTOR		
	R 130	QRZ9005-680X	F RESISTOR	68 1/0W	
	R 132	NRSA02J-393X	MG RESISTOR		
	R 133	NRSA02J-392X	MG RESISTOR		
	R 134	NRSA02J-102X	MG RESISTOR		
	R 140	NRSA02J-473X	MG RESISTOR		
	R 141	NRSA02J-102X	MG RESISTOR		
	R 142	NRSA02J-470X	MG RESISTOR		
	R 143	NRSA02J-562X	MG RESISTOR		
	R 144	NRSA02J-332X	MG RESISTOR		
	R 145	NRSA02J-103X	MG RESISTOR		
	R 146	NRSA02J-472X	MG RESISTOR		
	R 147	NRSA02J-332X	MG RESISTOR		
	R 150	NRSA02J-331X	MG RESISTOR		
	R 157	NRSA02J-332X	MG RESISTOR		
	R 158	NRSA02J-332X	MG RESISTOR		
	R 161	NRSA02J-102X	MG RESISTOR		
	R 162	NRSA02J-102X	MG RESISTOR		
	R 182	NRSA02J-103X	MG RESISTOR		
	R 183	NRSA02J-103X	MG RESISTOR		
	R 184	NRSA02J-103X	MG RESISTOR		
	R 191	NRSA02J-102X	MG RESISTOR		
	R 192	NRSA02J-474X	MG RESISTOR		
	R 193	NRSA02J-103X	MG RESISTOR		
	R 194	NRSA02J-103X	MG RESISTOR		
	RF101	QAU0119-001	FRONT END	FOR FTZ	
	T 111	QQR0871-001	COIL BLOCK		
	T 142	QQR0973-001	IFT		
	X 121	QAX0402-001	CRYSTAL		
	X 191	QAX0263-001Z	CRYSTAL		

# Packing materials and accessories parts list

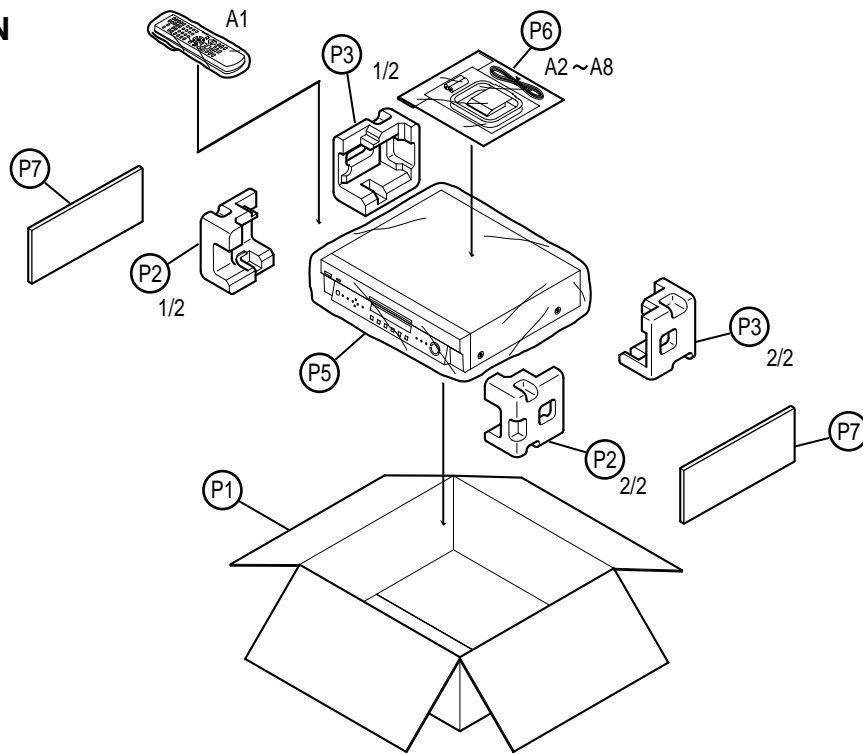
Block No. 

M	2	M	M
---	---	---	---

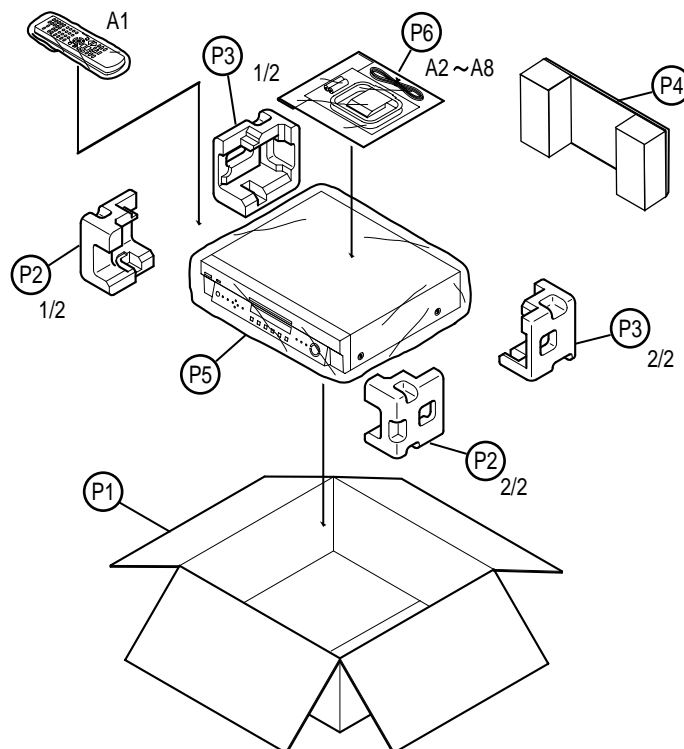
Block No. 

M	3	M	M
---	---	---	---

Ver.E/EN



Ver.B



**Parts list (Packing)**

Block No. M2MM

△	Item	Parts number	Parts name	Q'ty	Description	Area
	P 1	LV20978-006A	CARTON BOX	1	RX-E100RSL	E, EN
		LV20978-007A	CARTON BOX	1	RX-E100RSB	E, EN
		LV20978-001A	CARTON BOX	1	RX-E100RSL	B
	P 2	LV20963-001A	CUSHION(FRONT)	1		
	P 3	LV20964-001A	CUSHION(REAR)	1		
	P 4	LV32804-001A	PACKING SHEET	1		B
	P 5	QPC06507015P	POLY BAG	1	FOR SET	
	P 6	QPA02503505P	POLY BAG	1	FOR INST	
	P 7	LV32034-005A	SHEET	2		E, EN

**Parts list (Accessories)**

Block No. M3MM

△	Item	Parts number	Parts name	Q'ty	Description	Area
	A 1	RM-SRXE100R	REMOCON	1		
	A 2	-----	BATTERY	2		
	A 3	LVT0650-003A	INST BOOK	1	ENG	B
		LVT0650-005A	INST BOOK	1	SWE, FIN, DAN, GER	EN
		LVT0650-005A	INST BOOK	1	FRE, SPA, ITA	EN
		LVT0650-004A	INST BOOK	1	GER, FRE, DUT	E
	A 4	EWP503-001C	ANT.WIRE	1		
	A 5	QAL0204-001	AM LOOP ANT	1		
	A 6	E43486-340A	BS=SAFETY INST	1		B
	A 7	VNA3000-204	REGIST.CARD	1		B
	A 8	BT-54013-1	WARRANTY CARD	1		E
		BT-54008-2	WARRANTY CARD	1		B, EN